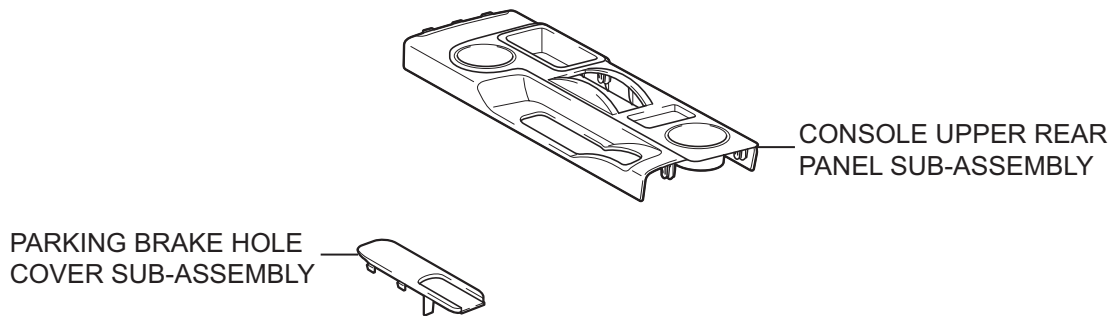


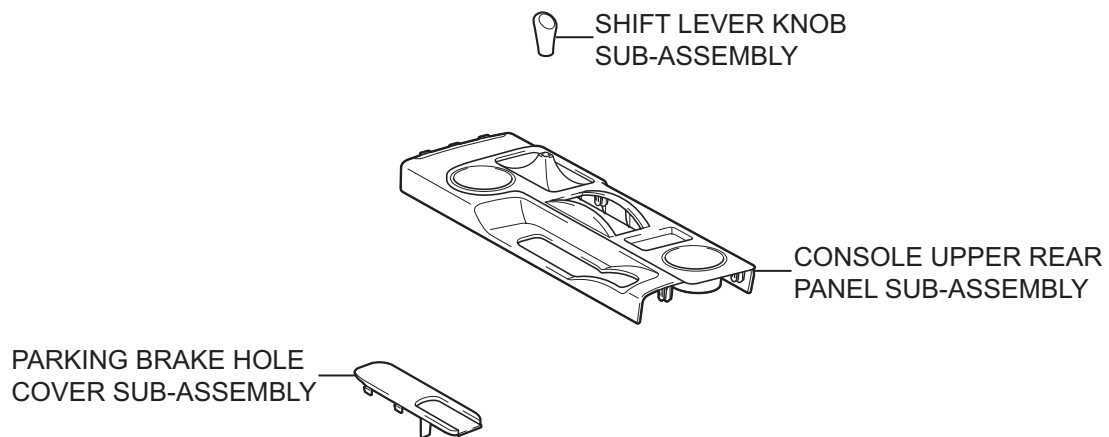
YAW RATE AND DECELERATION SENSOR

COMPONENTS

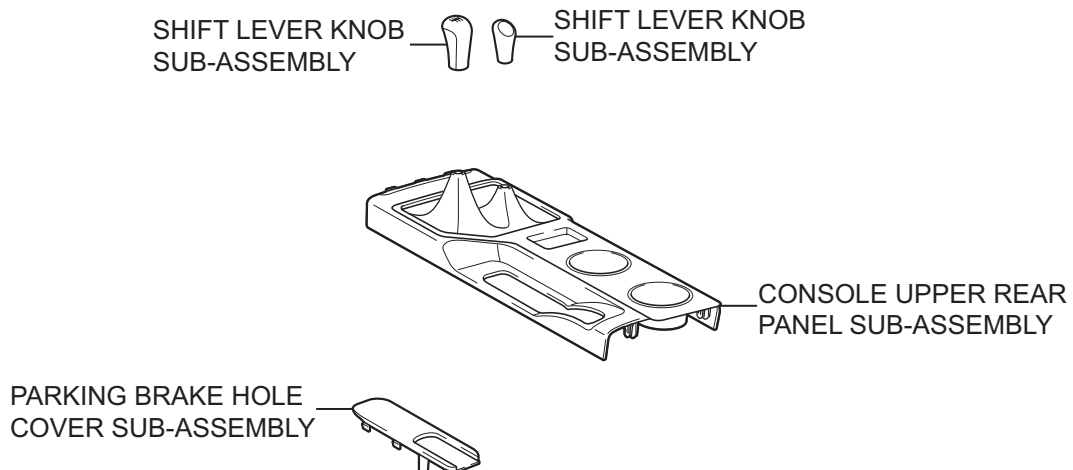
for Automatic Transmission 2WD:



for Automatic Transmission 4WD:



for Manual Transmission 4WD:



P

COURTESY of

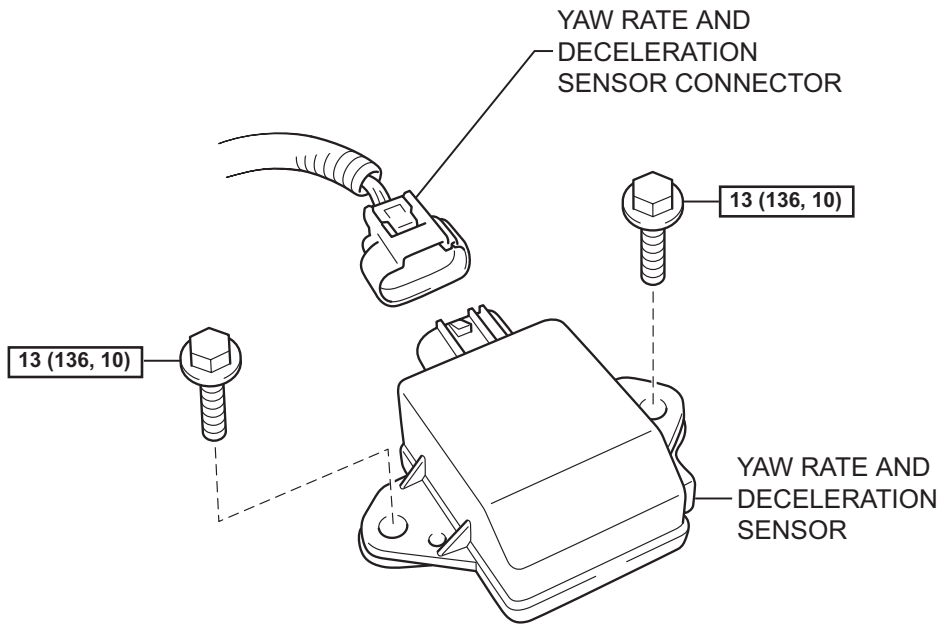


C133108E01

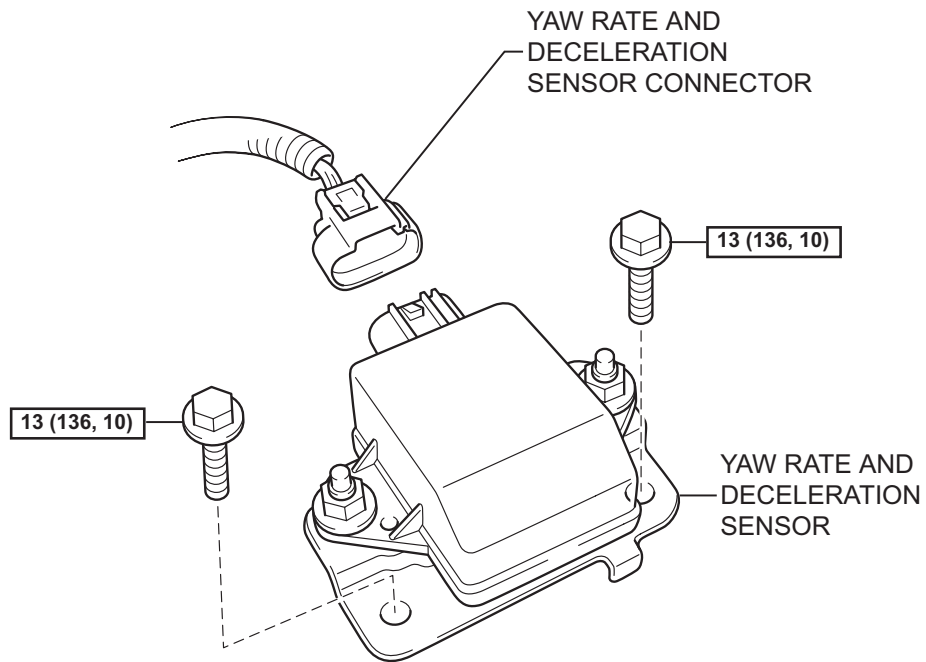
BC

BC

for Automatic Transmission:



for Manual Transmission:



N*m (kgf*cm, ft*lbf) : Specified torque

N

