

ON-VEHICLE INSPECTION

1. INSPECT ROOF SPEAKER ASSEMBLY

HINT:

Remove interior parts so that the roof speaker can be seen.

- (a) Check the speaker installation.

OK:

The speaker is securely installed.

If the result is not as specified, reinstall the roof speaker.

- (b) Visually check the speaker.

OK:

The metal arm of speaker is not bended.

The screw of speaker is not loosened.

If the result is not as specified, replace the roof speaker.

- (c) Check the resistance.

(1) Disconnect the speaker connector.

(2) Using an ohmmeter, measure the resistance between the terminals.

Standard resistance

Tester connection	Specified Condition
1 - 2	Approximately 4 Ω

If the result is not as specified, replace the roof speaker.

REMOVAL

HINT:

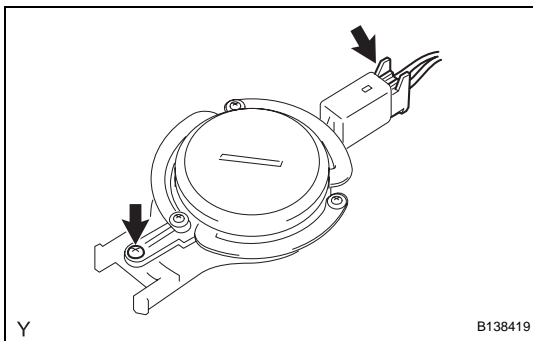
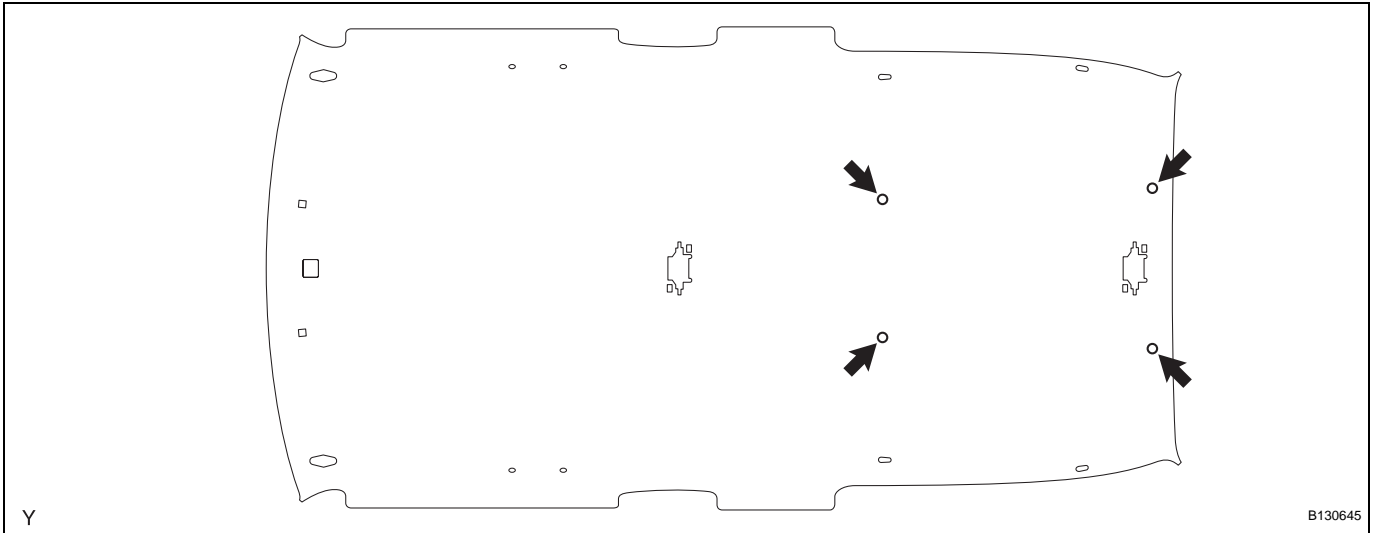
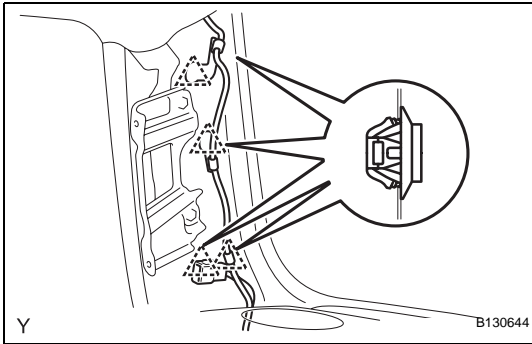
The procedure described below is for the RH side. Use the same procedure for both the RH and LH sides, unless otherwise specified.

1. **DISCONNECT CABLE FROM NEGATIVE BATTERY TERMINAL**
2. **REMOVE REAR SEATBACK BOARD CARPET ASSEMBLY RH (See page [SE-43](#))**
3. **REMOVE REAR SEATBACK ASSEMBLY RH (See page [SE-43](#))**
4. **REMOVE REAR SEATBACK BOARD CARPET ASSEMBLY LH (See page [SE-29](#))**
5. **REMOVE REAR SEATBACK ASSEMBLY LH (See page [SE-29](#))**
6. **REMOVE REAR FLOOR BOARD (See page [IR-13](#))**
7. **REMOVE REAR FLOOR MAT SUPPORT PLATE (See page [IR-14](#))**
8. **REMOVE LUGGAGE HOLD BELT STRIKER ASSEMBLY (See page [IR-14](#))**
9. **REMOVE REAR FLOOR MAT ASSEMBLY (See page [IR-15](#))**
10. **REMOVE FRONT DOOR SCUFF PLATE RH (See page [IR-15](#))**
11. **REMOVE FRONT DOOR SCUFF PLATE LH (See page [IR-15](#))**
12. **REMOVE ACCESS DOOR SCUFF PLATE RH (See page [IR-15](#))**
13. **REMOVE ACCESS DOOR SCUFF PLATE LH (See page [IR-15](#))**
14. **REMOVE FRONT FLOOR FOOTREST (See page [IR-2](#))**
15. **REMOVE FOOTREST CLIP (See page [IR-2](#))**
16. **REMOVE COWL SIDE TRIM BOARD RH (See page [IR-15](#))**
17. **REMOVE COWL SIDE TRIM BOARD LH (See page [IR-15](#))**
18. **REMOVE ROOF SIDE INNER GARNISH COVER RH (See page [IR-16](#))**
19. **REMOVE ROOF SIDE INNER GARNISH COVER LH (See page [IR-16](#))**
20. **REMOVE ROOF SIDE RAIL GARNISH RH (See page [IR-16](#))**
21. **REMOVE ROOF SIDE RAIL GARNISH LH (See page [IR-16](#))**

AV

22. REMOVE FRONT DOOR OPENING TRIM WEATHERSTRIP RH (See page [IR-16](#))
23. REMOVE FRONT DOOR OPENING TRIM WEATHERSTRIP LH (See page [IR-16](#))
24. REMOVE ASSIST GRIP PLUG (See page [IR-17](#))
25. REMOVE ASSIST GRIP ASSEMBLY (See page [IR-17](#))
26. REMOVE FRONT PILLAR GARNISH RH (See page [IR-18](#))
27. REMOVE FRONT PILLAR GARNISH LH (See page [IR-18](#))
28. REMOVE DECK SIDE GARNISH (w/ Woofer) (See page [IR-18](#))
29. REMOVE SPEAKER MOUNTING COVER (w/ Woofer) (See page [AV-90](#))
30. REMOVE AMPLIFIER BOX SPEAKER ASSEMBLY (w/ Woofer) (See page [AV-90](#))
31. REMOVE PACKAGE HOLDER NET HOOK (See page [IR-18](#))
32. REMOVE QUARTER TRIM POCKET TRAY (w/o Woofer) (See page [IR-19](#))
33. REMOVE SIDE TRIM COVER (w/o Woofer) (See page [IR-19](#))
34. REMOVE QUARTER TRIM POCKET (w/o Woofer) (See page [IR-19](#))
35. REMOVE LAP BELT OUTER ANCHOR COVER (See page [IR-20](#))
36. REMOVE REAR SEAT OUTER BELT ASSEMBLY RH (See page [IR-20](#))
37. REMOVE REAR SEAT OUTER BELT ASSEMBLY LH (See page [IR-20](#))
38. REMOVE REAR DECK TRIM COVER (w/ Power Outlet Socket) (See page [IR-20](#))
39. REMOVE DECK TRIM SIDE PANEL ASSEMBLY RH (See page [IR-21](#))
40. REMOVE DECK TRIM SIDE PANEL ASSEMBLY LH (See page [IR-21](#))
41. REMOVE ROOF SIDE INNER GARNISH RH (See page [IR-22](#))
42. REMOVE ROOF SIDE INNER GARNISH LH (See page [IR-22](#))
43. REMOVE ROOF HEADLINING HOLE PLUG (w/ Curtain Shield Airbag) (See page [IR-23](#))
44. REMOVE COAT HOOK (See page [IR-24](#))
45. REMOVE VISOR ASSEMBLY RH (See page [IR-24](#))

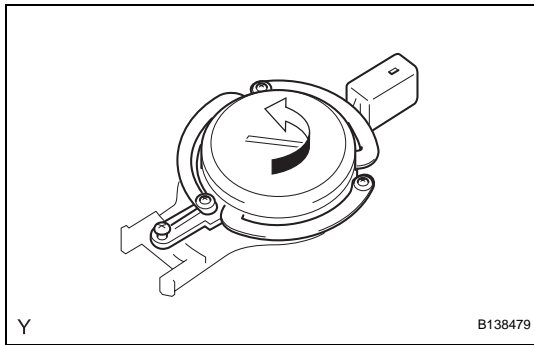
46. REMOVE VISOR ASSEMBLY LH (See page [IR-24](#))
47. REMOVE VISOR HOLDER (See page [IR-25](#))
48. REMOVE INNER REAR VIEW MIRROR STAY HOLDER COVER (See page [MI-6](#))
49. REMOVE INNER REAR VIEW MIRROR ASSEMBLY (See page [MI-6](#))
50. REMOVE ROOM LIGHT ASSEMBLY (See page [IR-25](#))
51. REMOVE ROOF HEADLINING
 - (a) Using a clip remover, remove the 3 clamps and the connector.
 - (b) Using a clip remover, remove the 4 clips.



52. REMOVE ROOF SPEAKER ASSEMBLY

- (a) Disconnect the speaker connector.
- (b) Loosen the screw.

AV



- (c) Remove the roof speaker by turning it in the direction of the arrow shown in the illustration.