

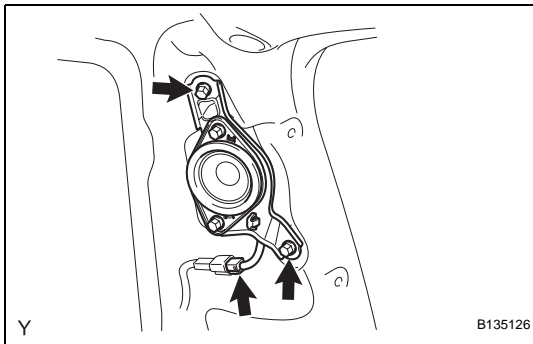
## REMOVAL

### HINT:

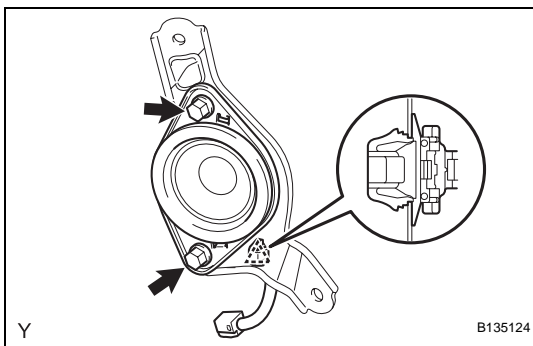
The procedure described below is for the RH side. Use the same procedure for both the RH and LH sides, unless otherwise specified.

1. **DISCONNECT CABLE FROM NEGATIVE BATTERY TERMINAL**
2. **REMOVE REAR SEATBACK BOARD CARPET ASSEMBLY**
  - (a) for RH Side:
    - (1) Remove the rear seatback board carpet assembly (See page [SE-43](#)).
  - (b) for LH Side:
    - (1) Remove the rear seatback board carpet assembly (See page [SE-29](#)).
3. **REMOVE REAR SEATBACK ASSEMBLY**
  - (a) for RH Side:
    - (1) Remove the rear seatback assembly (See page [SE-43](#)).
  - (b) for LH Side:
    - (1) Remove the rear seatback assembly (See page [SE-29](#)).
4. **REMOVE REAR FLOOR BOARD (See page [IR-13](#))**
5. **REMOVE REAR FLOOR MAT SUPPORT PLATE (See page [IR-14](#))**
6. **REMOVE LUGGAGE HOLD BELT STRIKER ASSEMBLY (See page [IR-14](#))**
7. **REMOVE REAR FLOOR MAT ASSEMBLY (See page [IR-15](#))**
8. **REMOVE FRONT DOOR SCUFF PLATE (See page [IR-15](#))**
9. **REMOVE ACCESS DOOR SCUFF PLATE (See page [IR-15](#))**
10. **REMOVE FRONT DOOR OPENING TRIM WEATHERSTRIP (See page [SB-56](#))**
11. **REMOVE DECK SIDE GARNISH (w/ Woofer) (See page [IR-18](#))**
12. **REMOVE SPEAKER MOUNTING COVER (w/ Woofer) (See page [AV-90](#))**
13. **REMOVE AMPLIFIER BOX SPEAKER ASSEMBLY (w/ Woofer) (See page [AV-90](#))**
14. **REMOVE PACKAGE HOLDER NET HOOK (w/o Woofer) (See page [SB-57](#))**
15. **REMOVE QUARTER TRIM POCKET TRAY (w/o Woofer) (See page [IR-19](#))**

16. REMOVE SIDE TRIM COVER (w/o Woofer) (See page [IR-19](#))
17. REMOVE QUARTER TRIM POCKET (w/o Woofer) (See page [IR-19](#))
18. REMOVE LAP BELT OUTER ANCHOR COVER (See page [SB-57](#))
19. REMOVE REAR SEAT OUTER BELT ASSEMBLY (See page [IR-20](#))
20. REMOVE REAR DECK TRIM COVER (w/ Power Outlet Socket) (See page [IR-20](#))
21. REMOVE DECK TRIM SIDE PANEL ASSEMBLY
  - (a) for RH Side:
    - (1) Remove the deck trim side panel assembly (See page [IR-21](#)).
  - (b) for LH Side:
    - (1) Remove the deck trim side panel assembly (See page [IR-21](#)).
22. REMOVE ROOF SIDE INNER GARNISH (See page [IR-22](#))



23. REMOVE SPEAKER MOUNTING BRACKET
  - (a) Disconnect the speaker connector.
  - (b) Remove the 2 bolts and the speaker mounting bracket.



24. REMOVE REAR SPEAKER ASSEMBLY
  - (a) Remove the clamp, the 2 bolts and the rear speaker.

AV