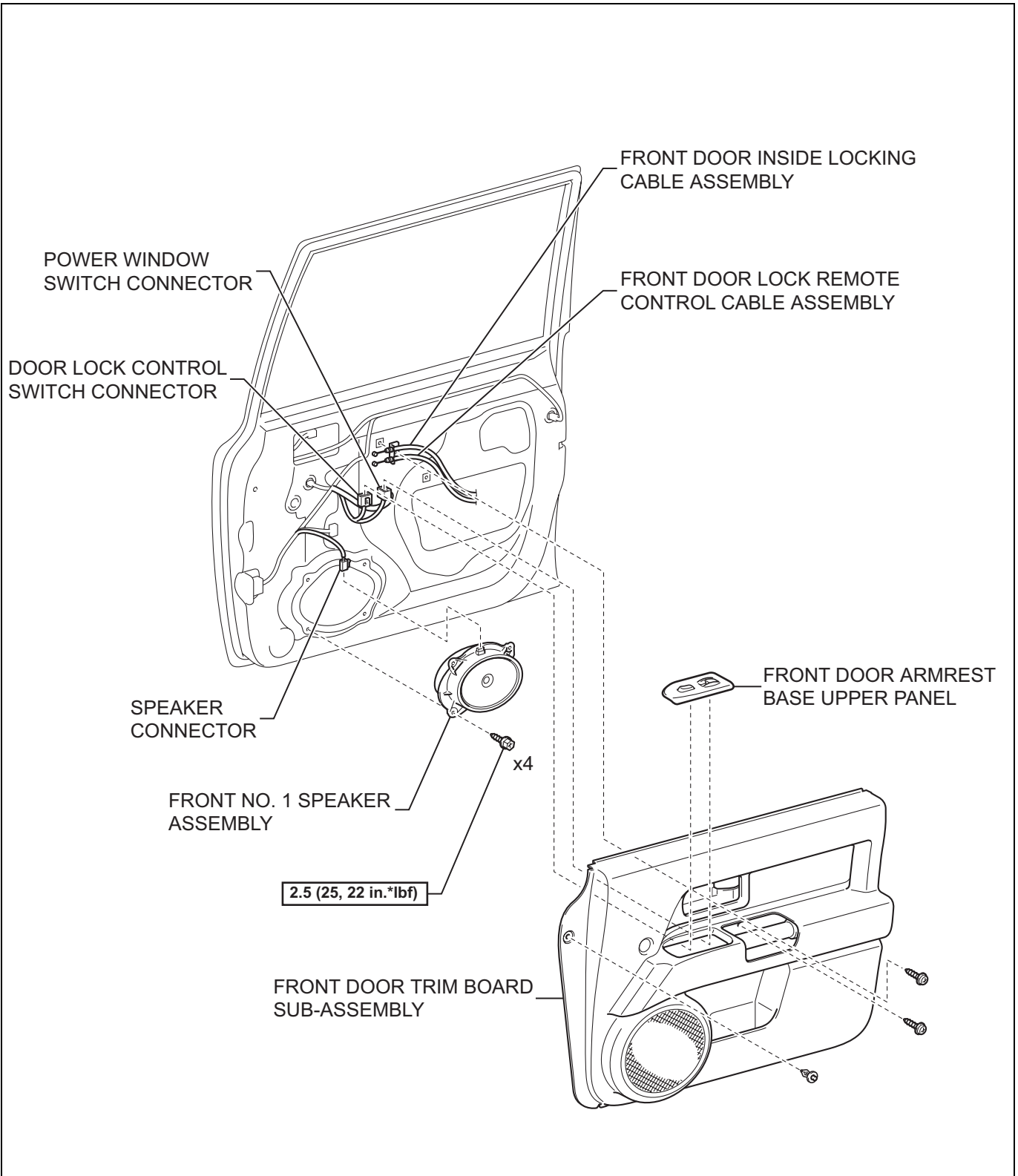


FRONT NO. 1 SPEAKER

COMPONENTS



AV

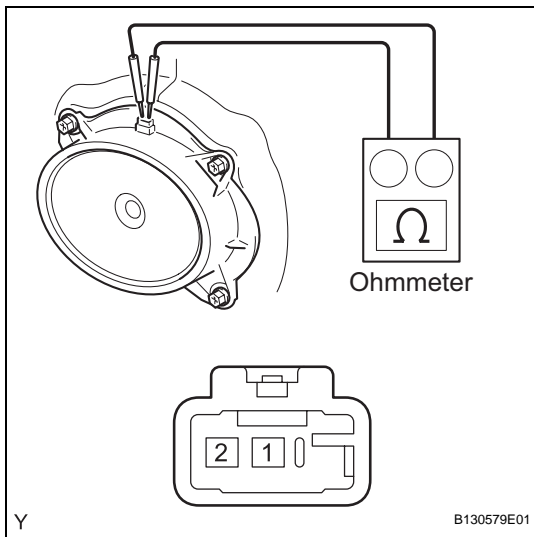
N*m (kgf*cm, ft*lbf) : Specified torque

Y

COURTESY of



B130578E01



ON-VEHICLE INSPECTION

1. INSPECT FRONT NO. 1 SPEAKER ASSEMBLY

HINT:

Remove interior parts so that the front No. 1 speaker can be seen.

- (a) Check the speaker installation.

OK:

The speaker is securely installed.

If the result is not as specified, reinstall the front No. 1 speaker.

- (b) Visually check the speaker.

OK:

The cone paper of the speaker is not torn.

If the result is not as specified, replace the front No. 1 speaker.

- (c) Check the resistance.

- (1) Disconnect the speaker connector.

- (2) Using an ohmmeter, measure the resistance between the terminals.

Standard resistance

Tester Connection	Specified Condition
1 - 2	Approximately 4 Ω

If the result is not as specified, replace the front No. 1 speaker.