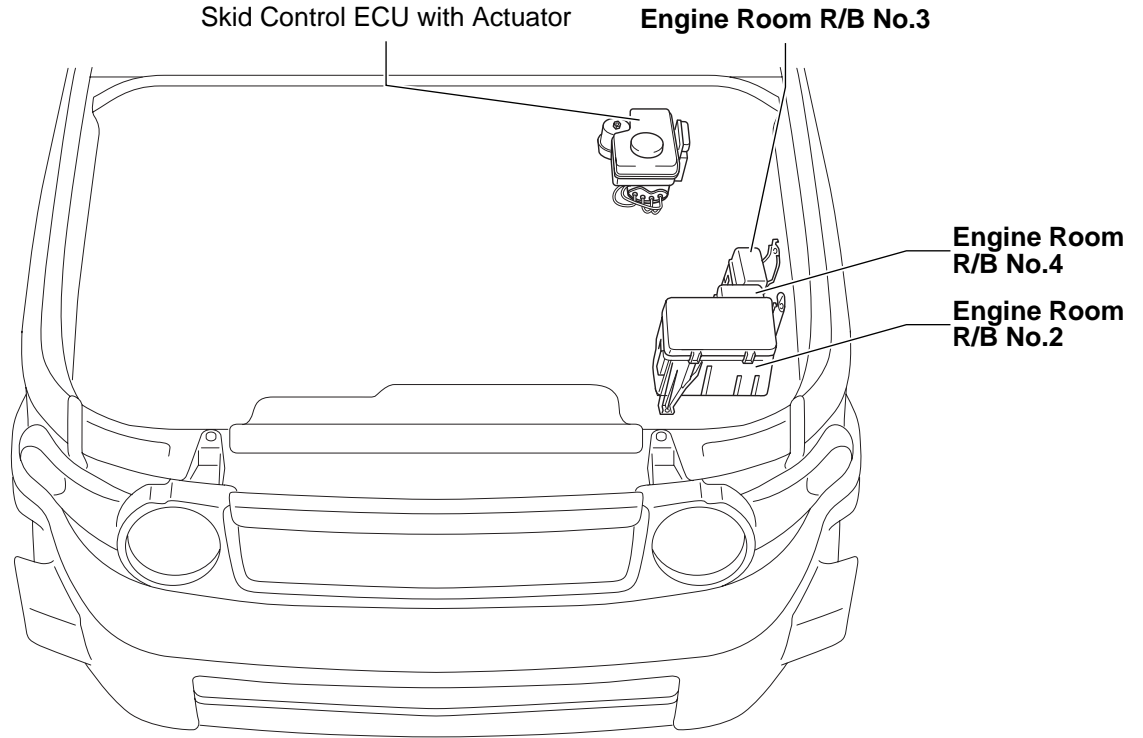
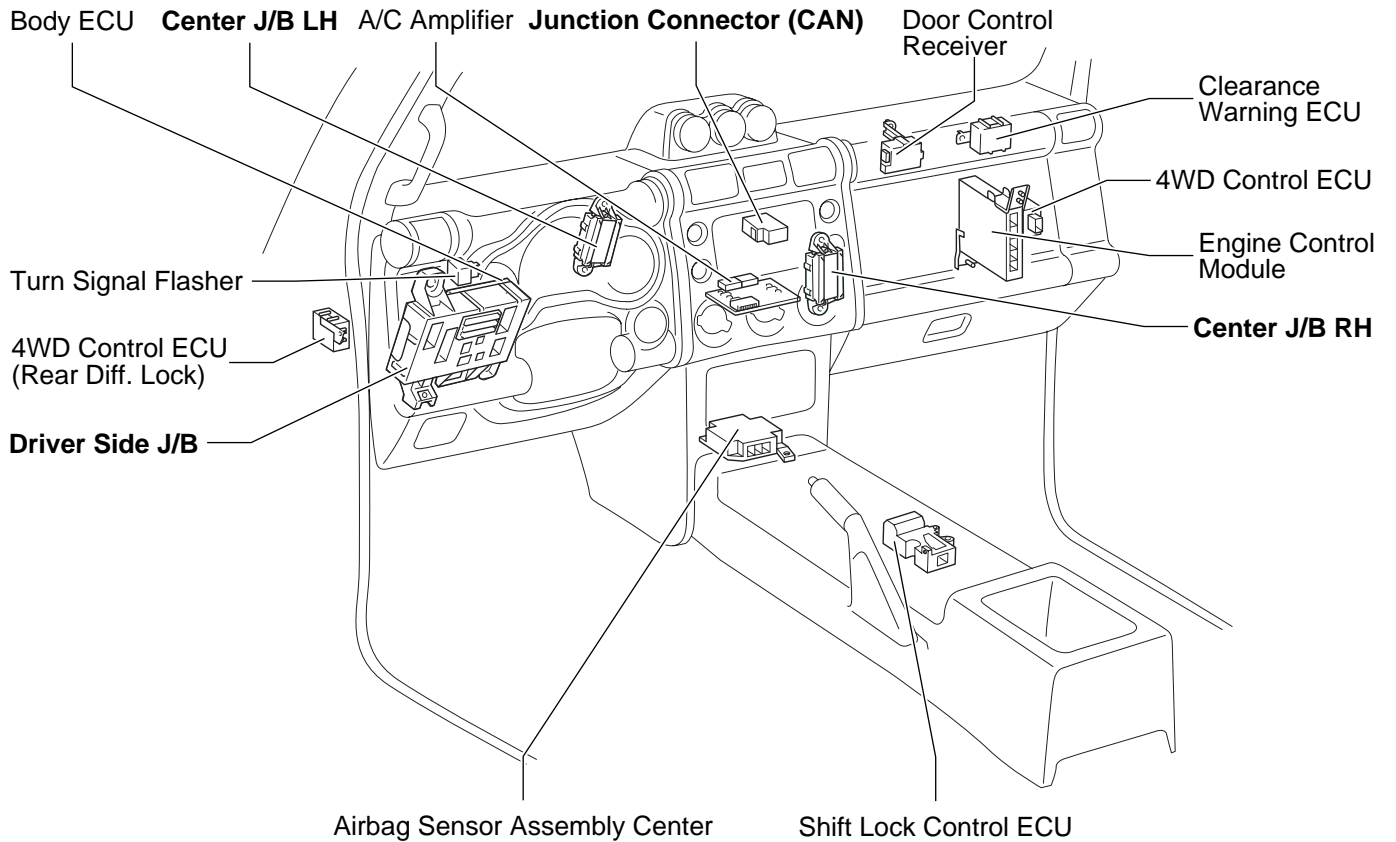


F RELAY LOCATIONS

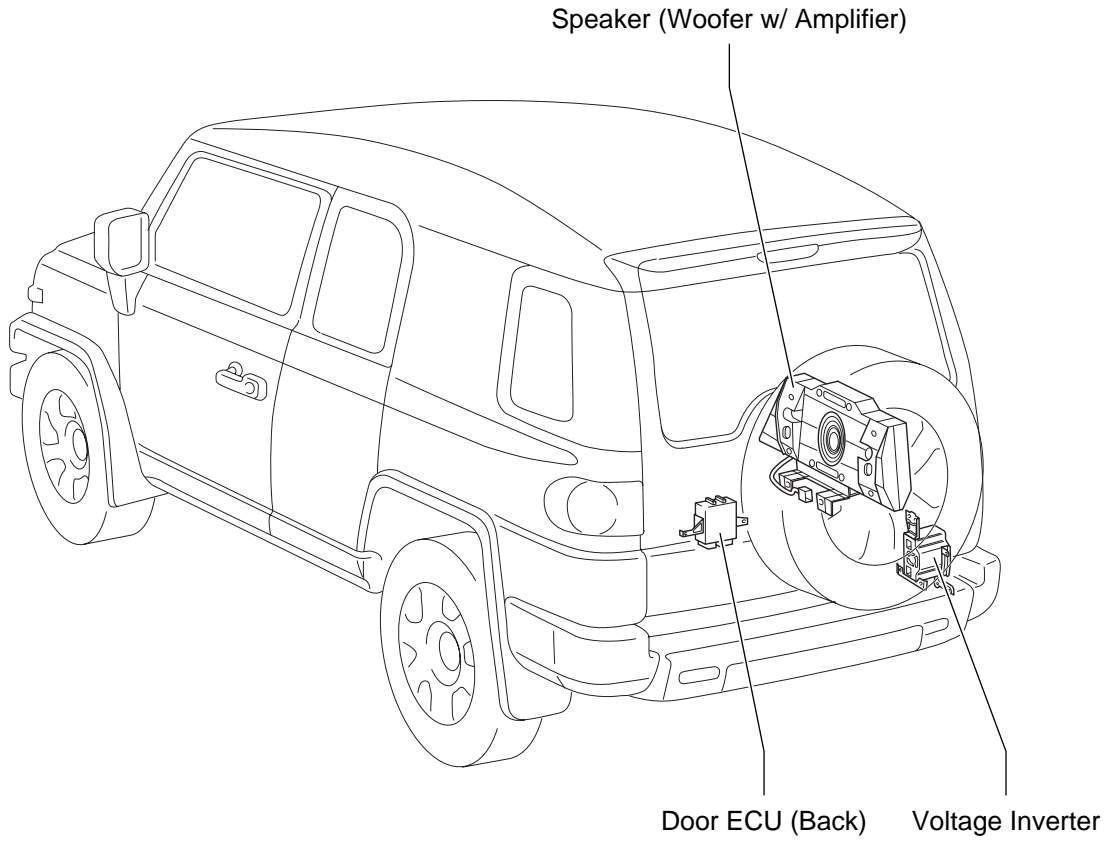
[Engine Compartment]



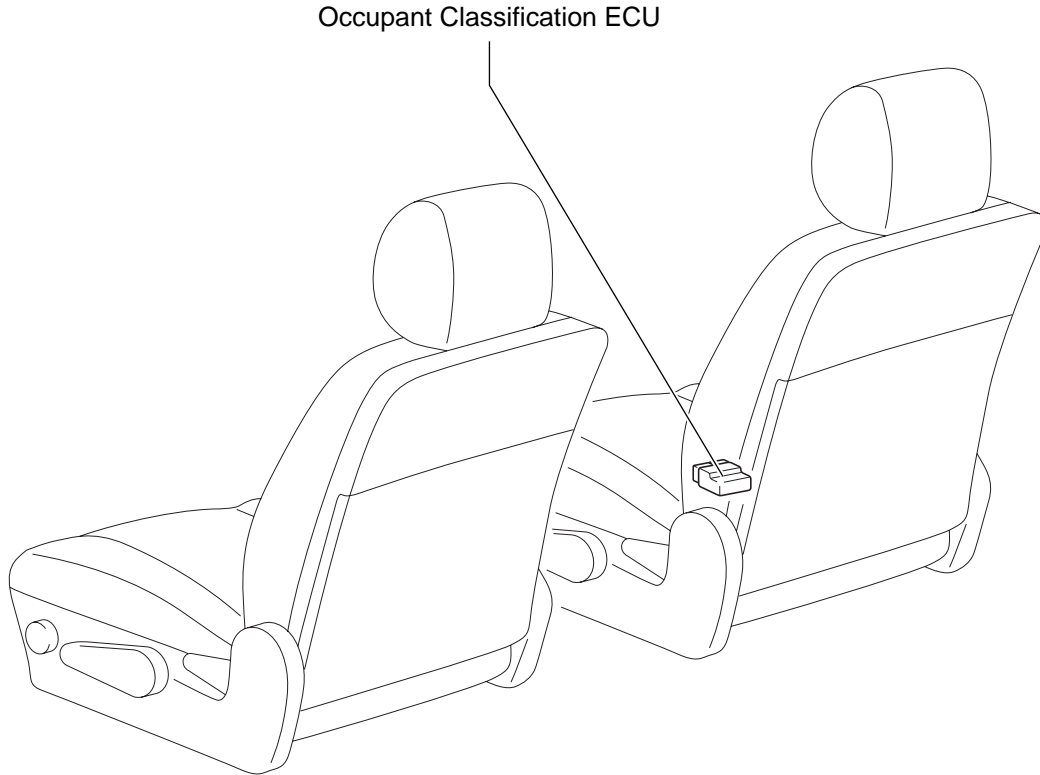
[Instrument Panel]



[Body]



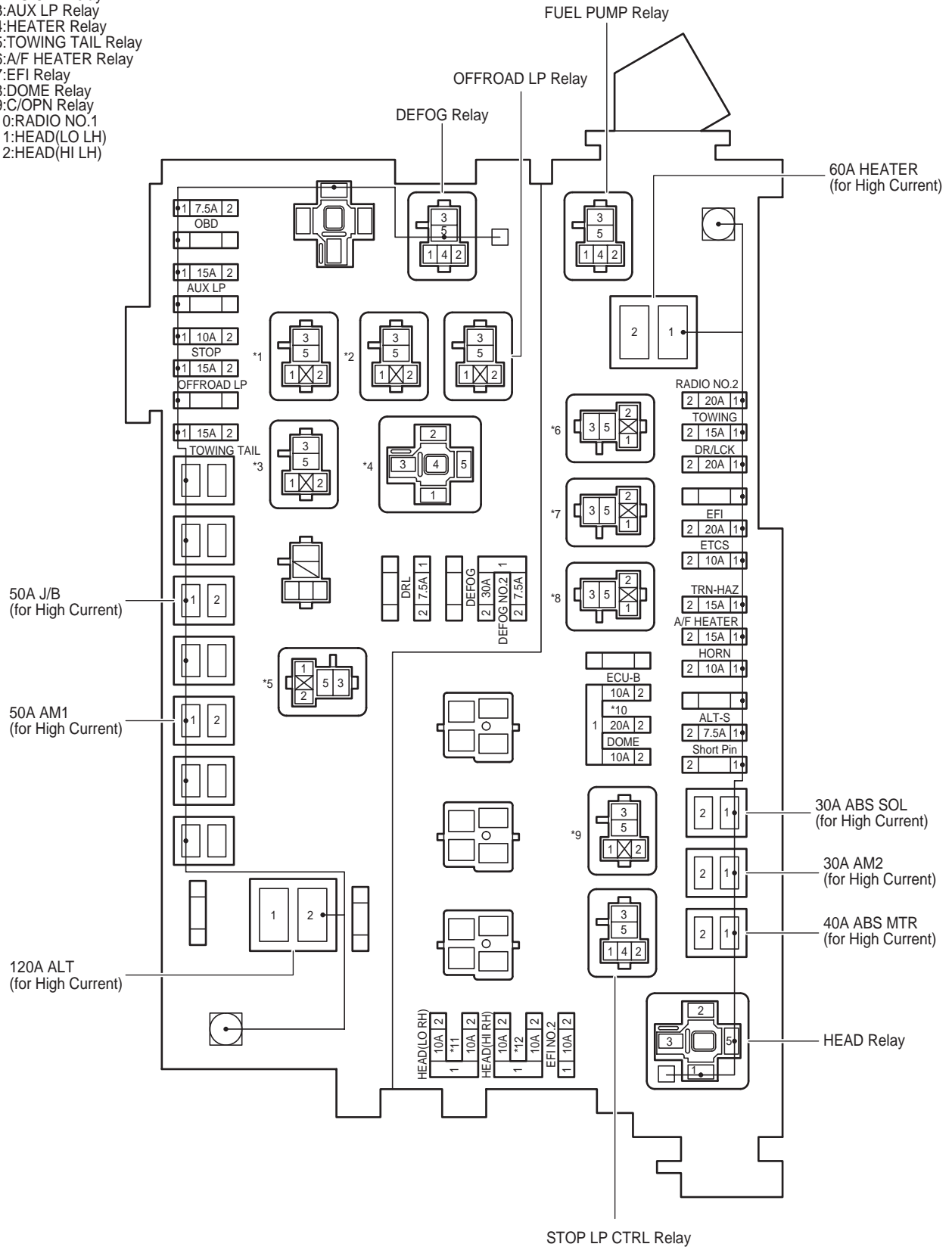
[Seat]



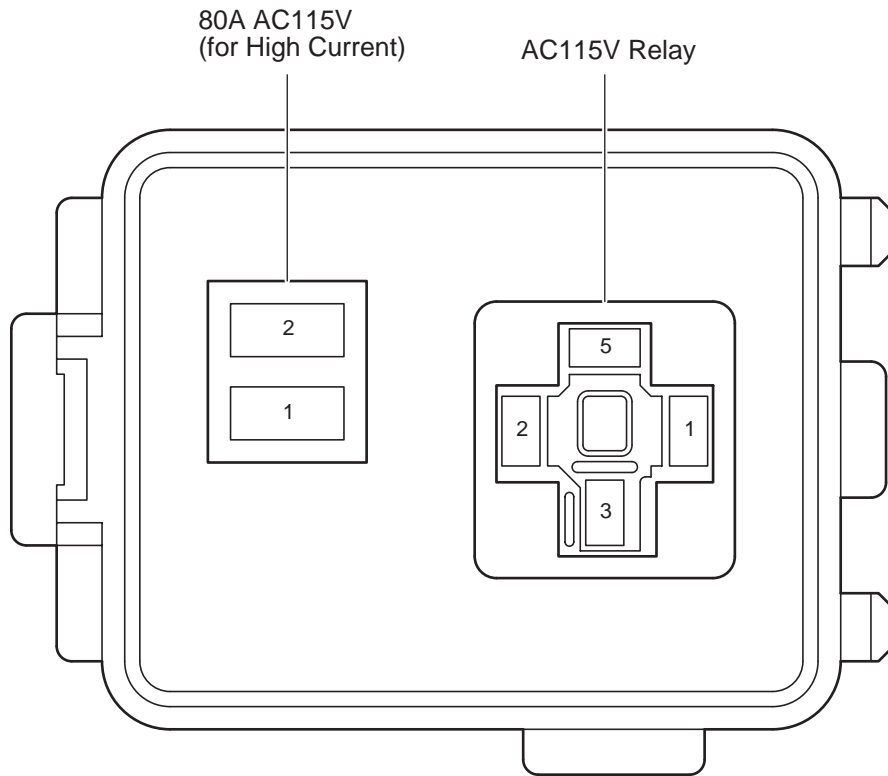
F RELAY LOCATIONS

② : Engine Room R/B No.2 Engine Compartment Left (See Page 20)

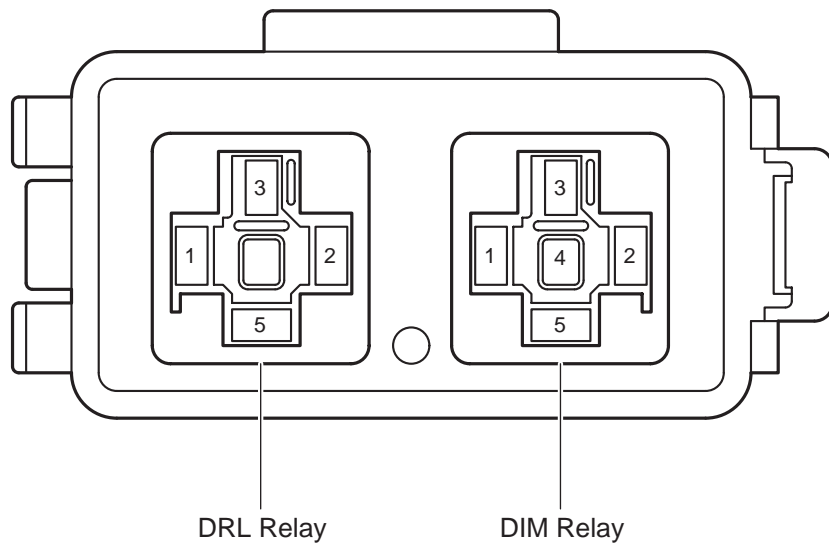
- * 1: STA Relay
- * 2: MG CLT Relay
- * 3: AUX LP Relay
- * 4: HEATER Relay
- * 5: TOWING TAIL Relay
- * 6: A/F HEATER Relay
- * 7: EFI Relay
- * 8: DOME Relay
- * 9: C/OPN Relay
- * 10: RADIO NO.1
- * 11: HEAD(LO LH)
- * 12: HEAD(HI LH)



③ : Engine Room R/B No.3 Engine Compartment Left (See Page 20)

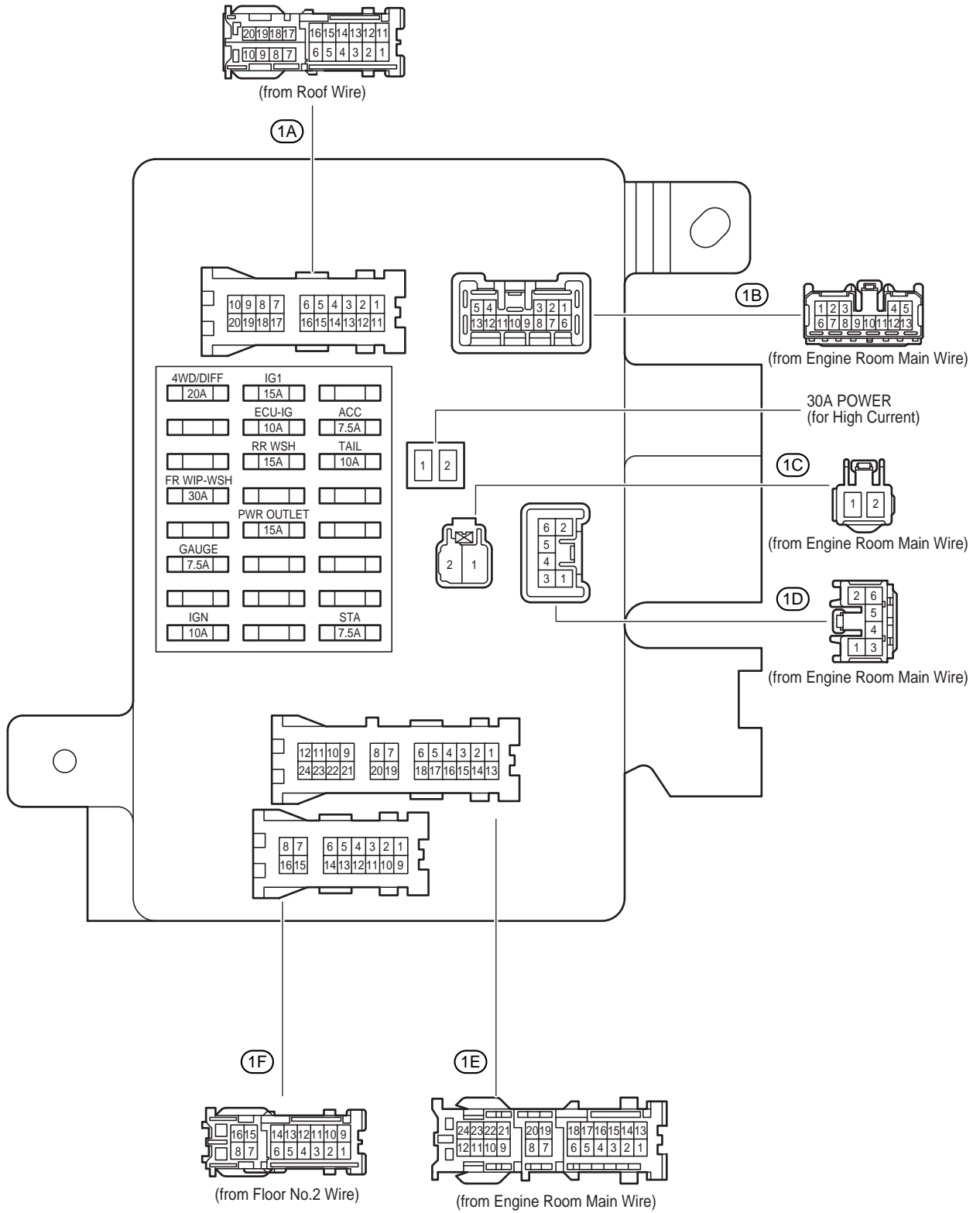


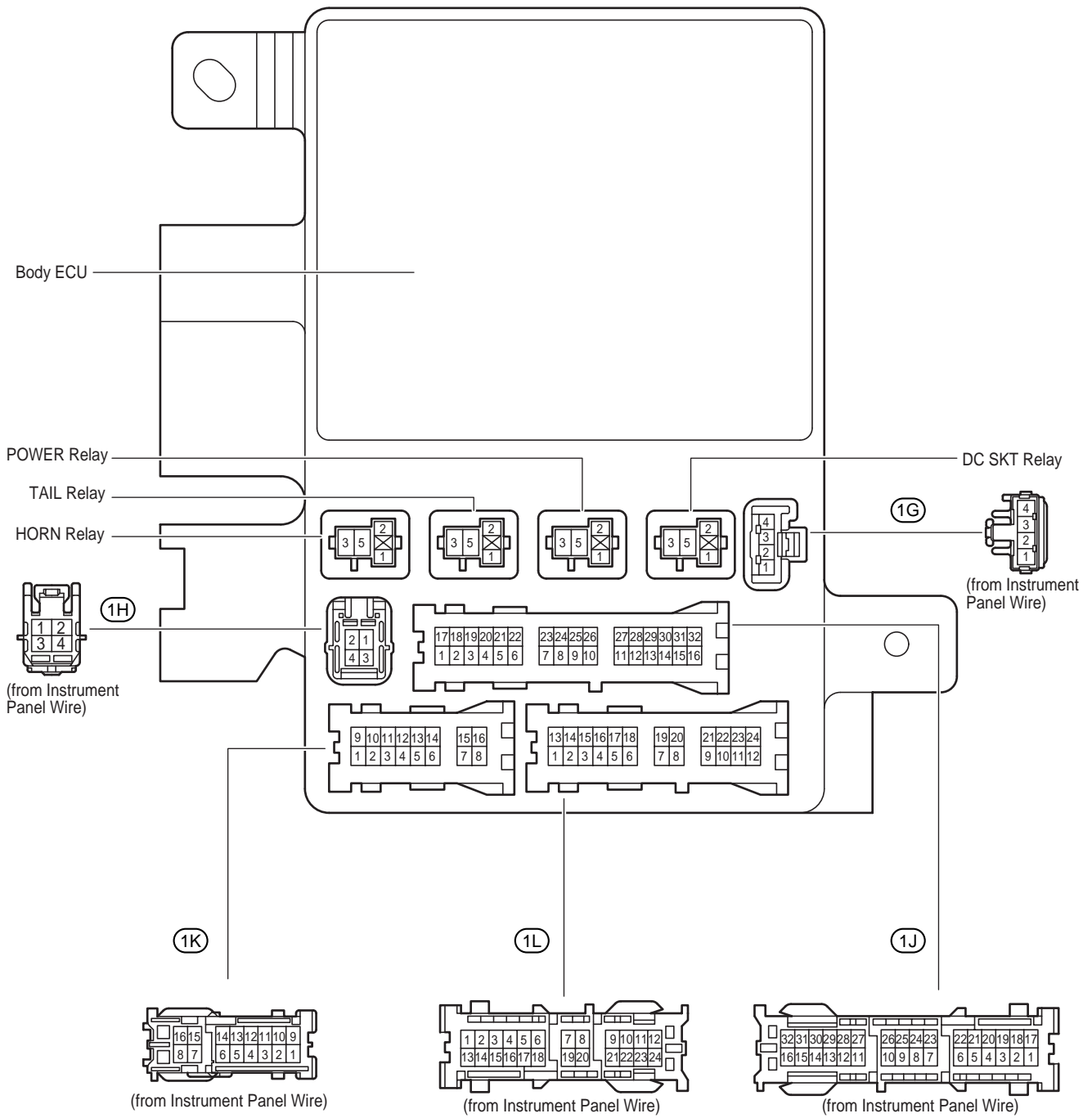
④ : Engine Room R/B No.4 Engine Compartment Left (See Page 20)



F RELAY LOCATIONS

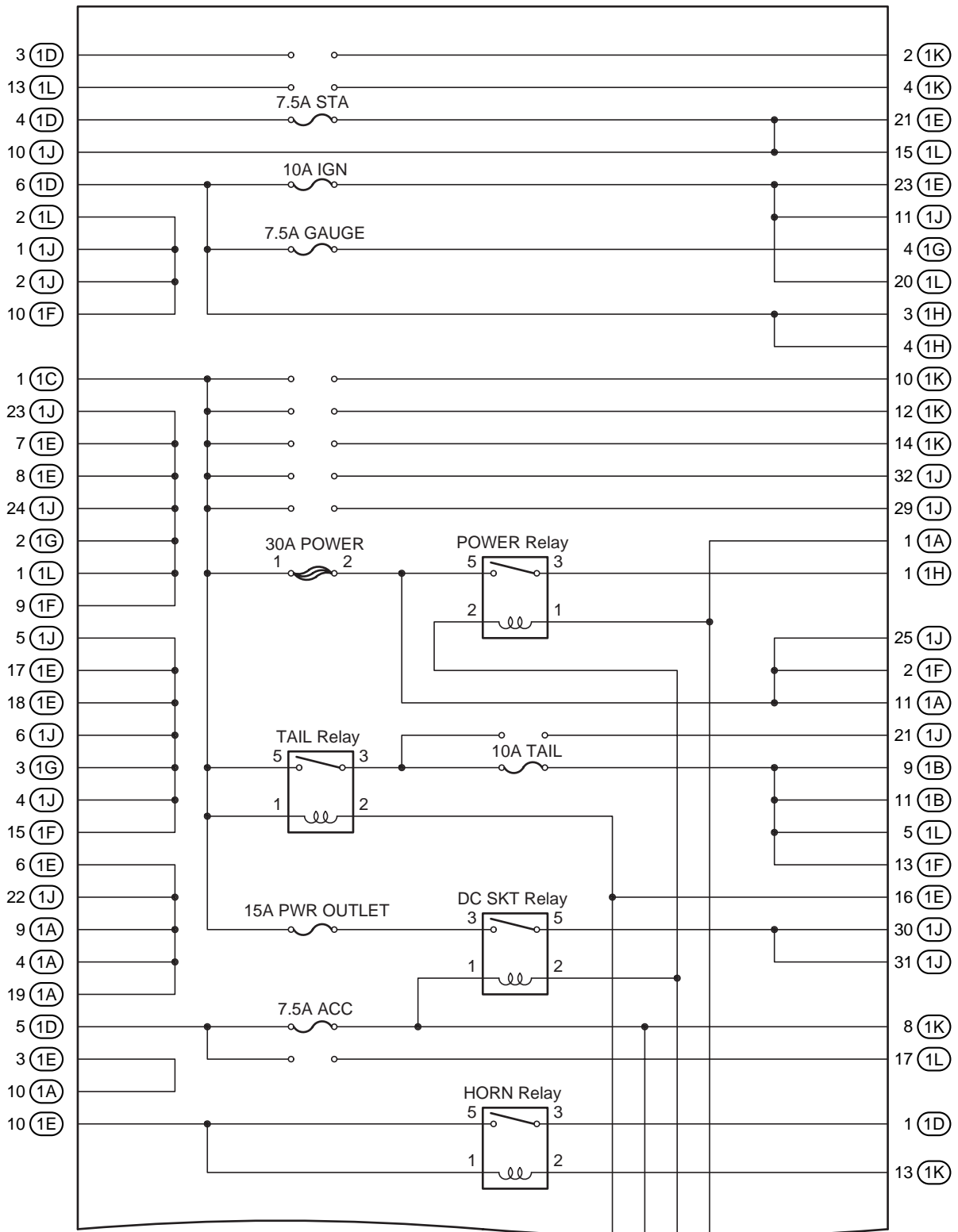
○ : Driver Side J/B Lower Finish Panel (See Page 20)





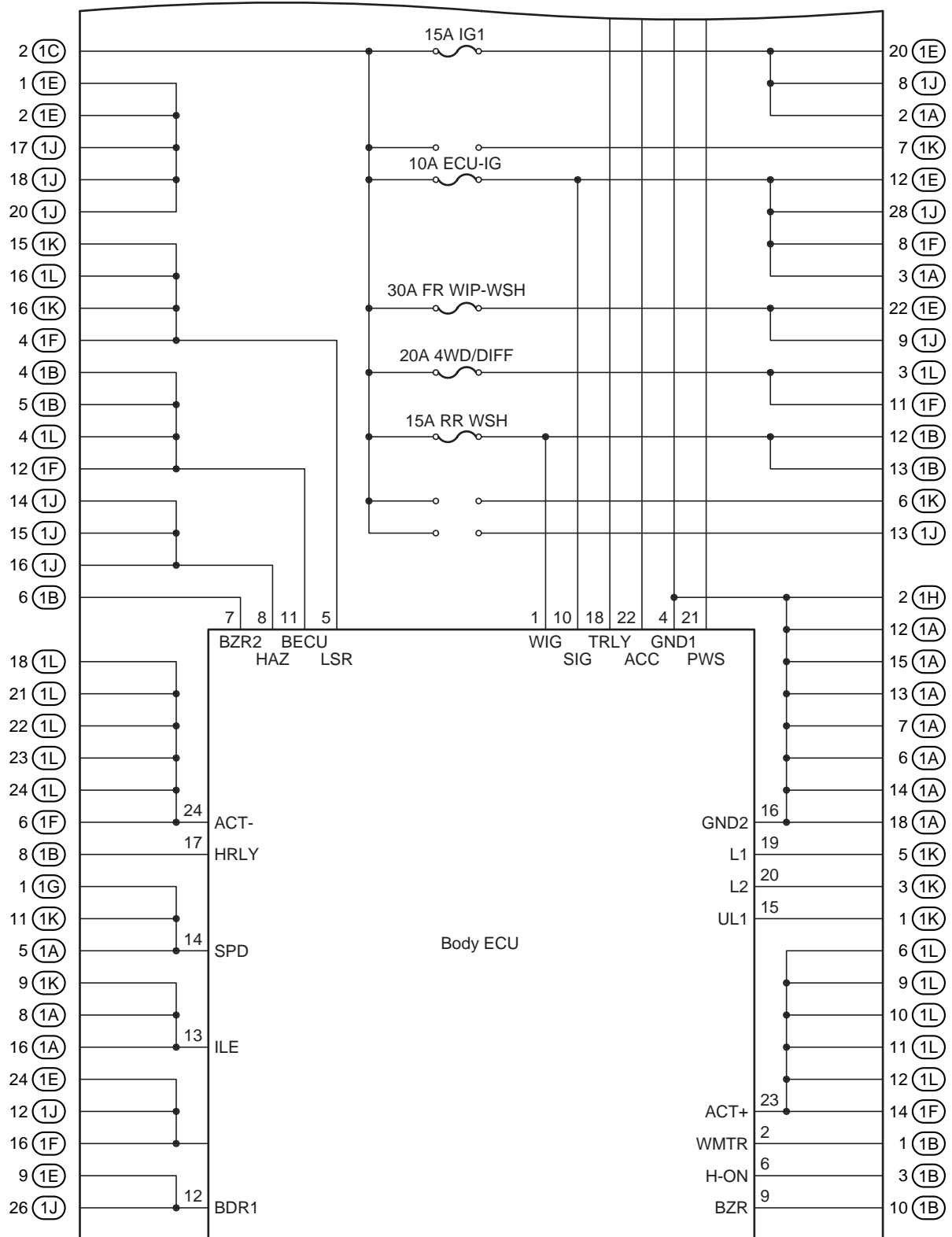
F RELAY LOCATIONS

[Driver Side J/B Inner Circuit]



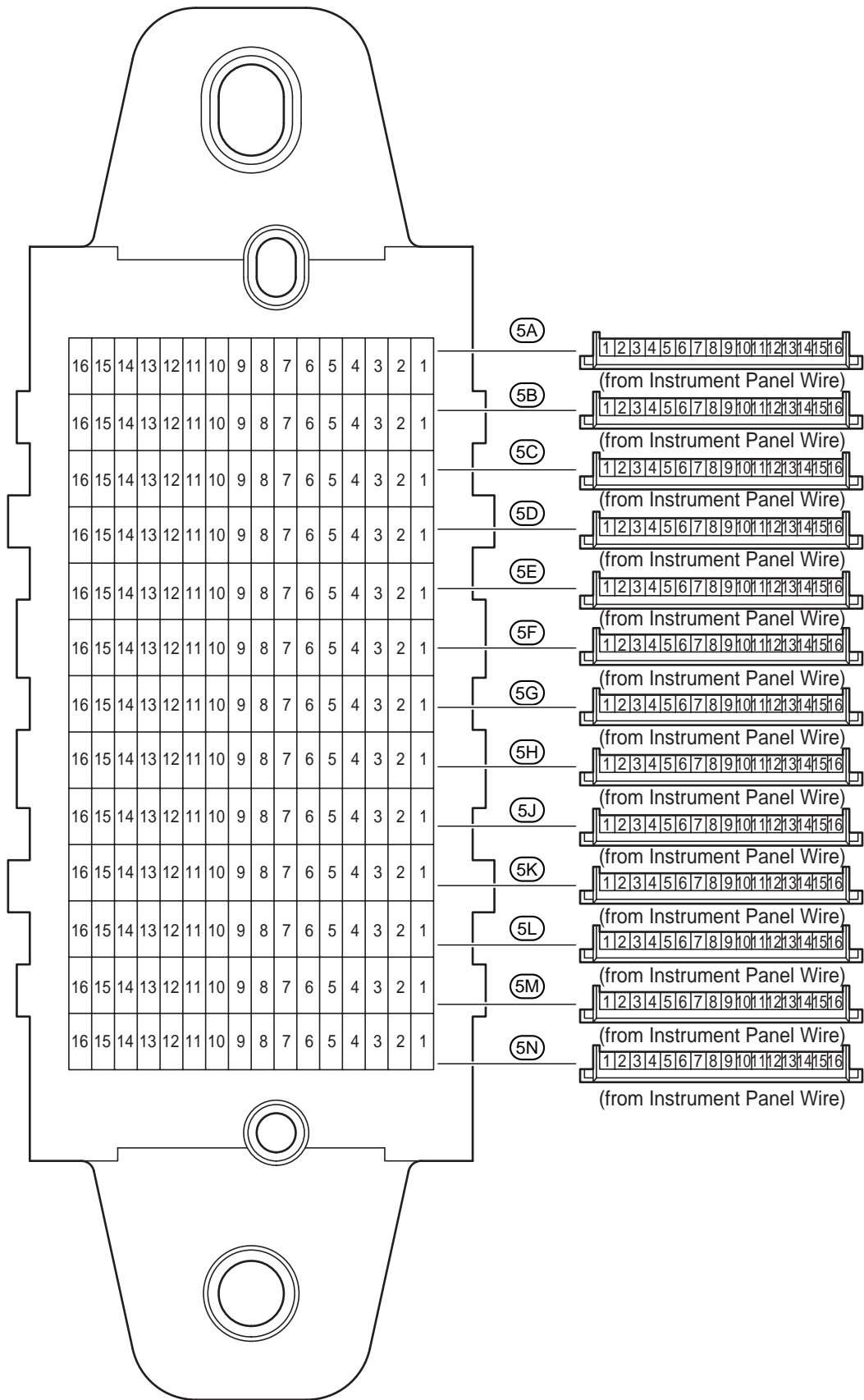
(Cont. Next Page)

(Cont'd)

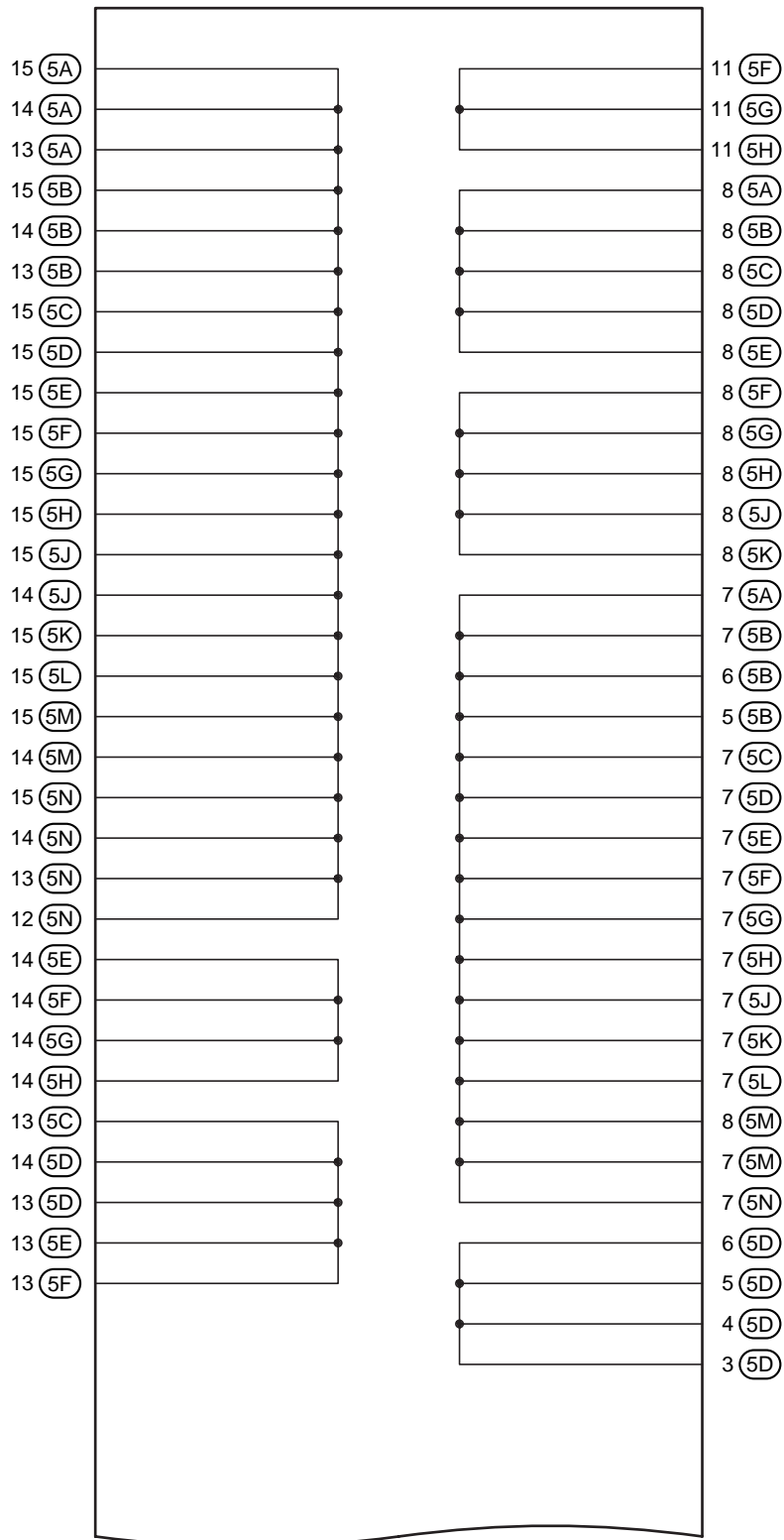


F RELAY LOCATIONS

○ : Center J/B LH Instrument Panel LH (See Page 20)



[Center J/B LH Inner Circuit]



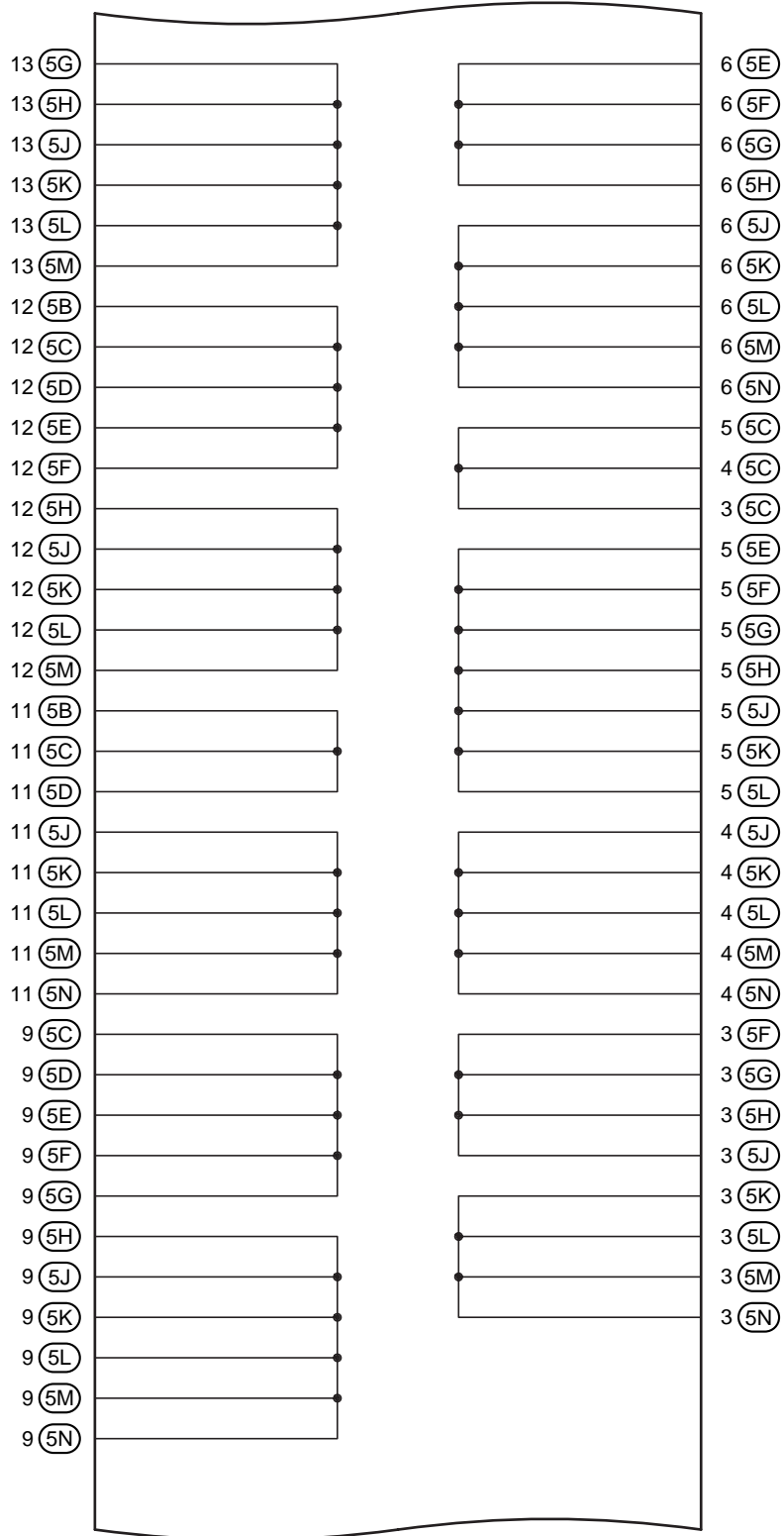
(Cont. Next Page)



F RELAY LOCATIONS

[Center J/B LH Inner Circuit]

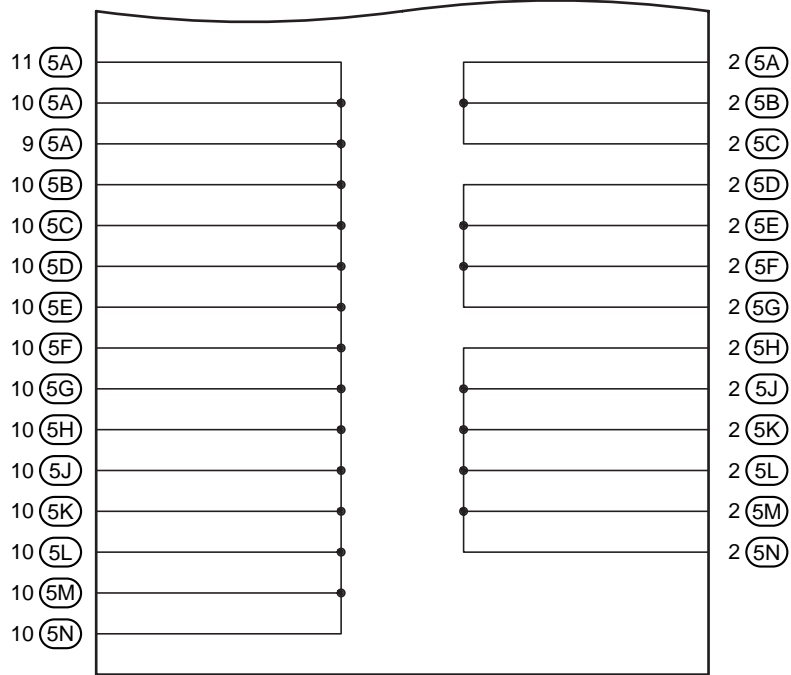
(Cont'd)



(Cont. Next Page)

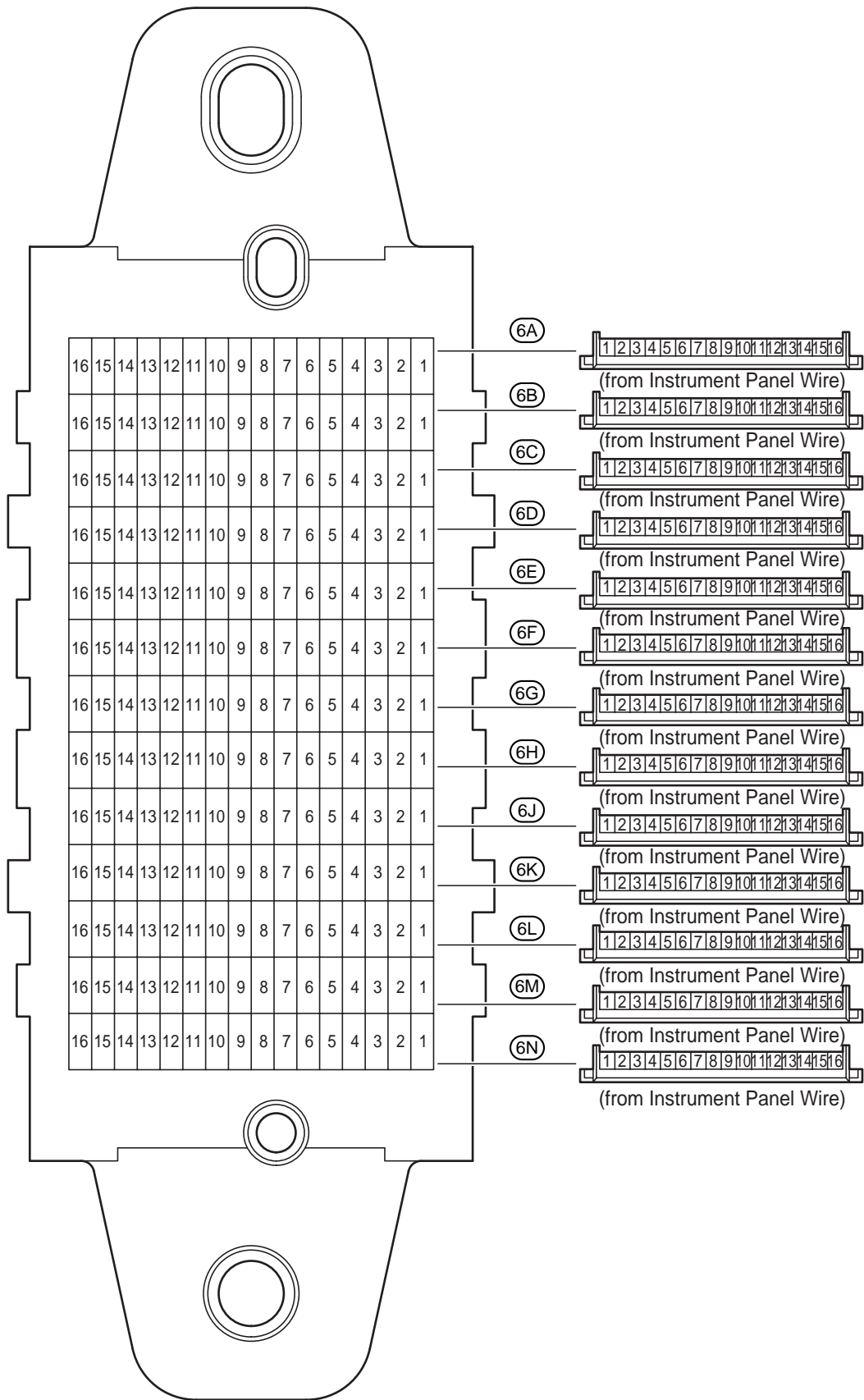


(Cont'd)

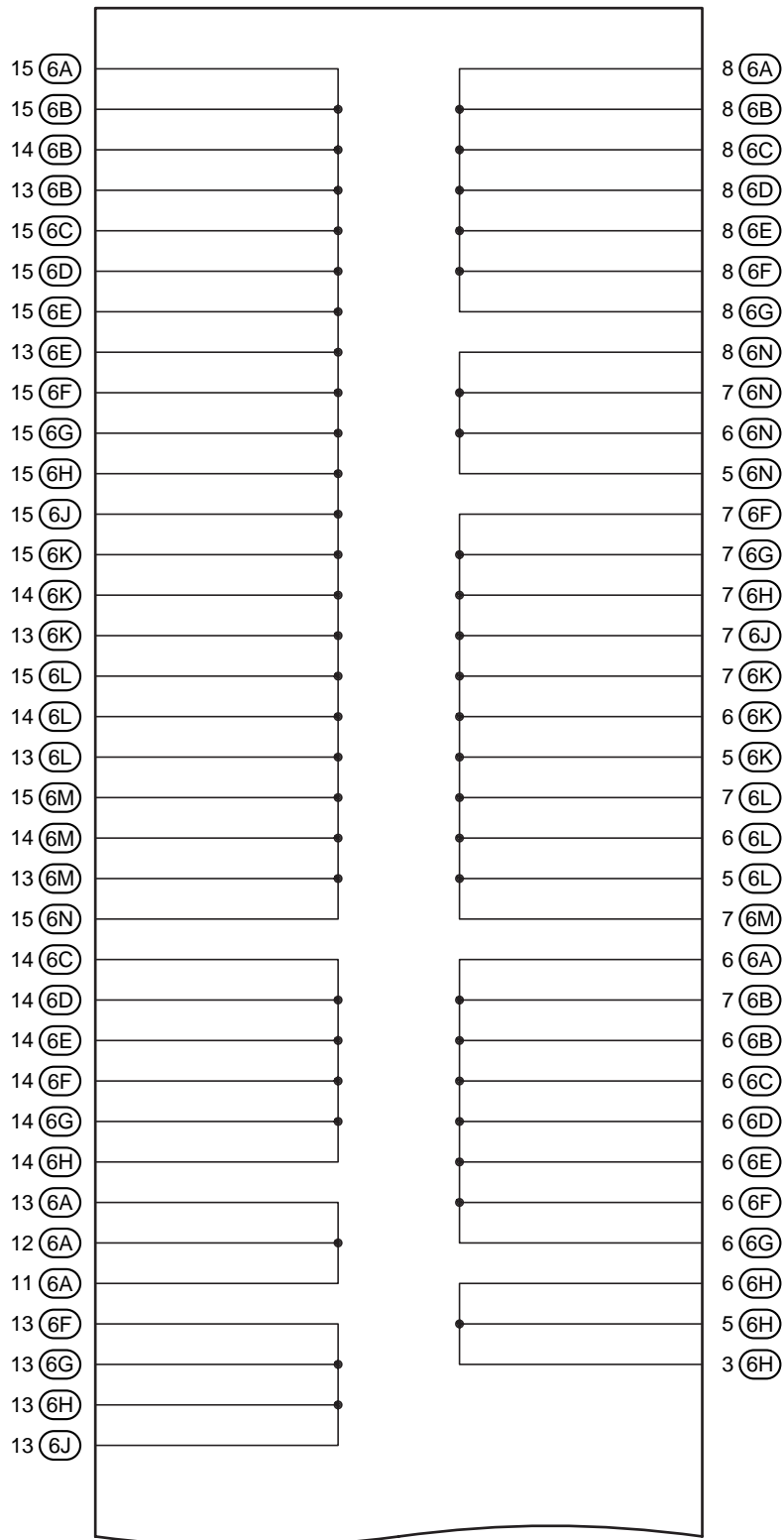


F RELAY LOCATIONS

○ : Center J/B RH Instrument Panel RH (See Page 20)



[Center J/B RH Inner Circuit]



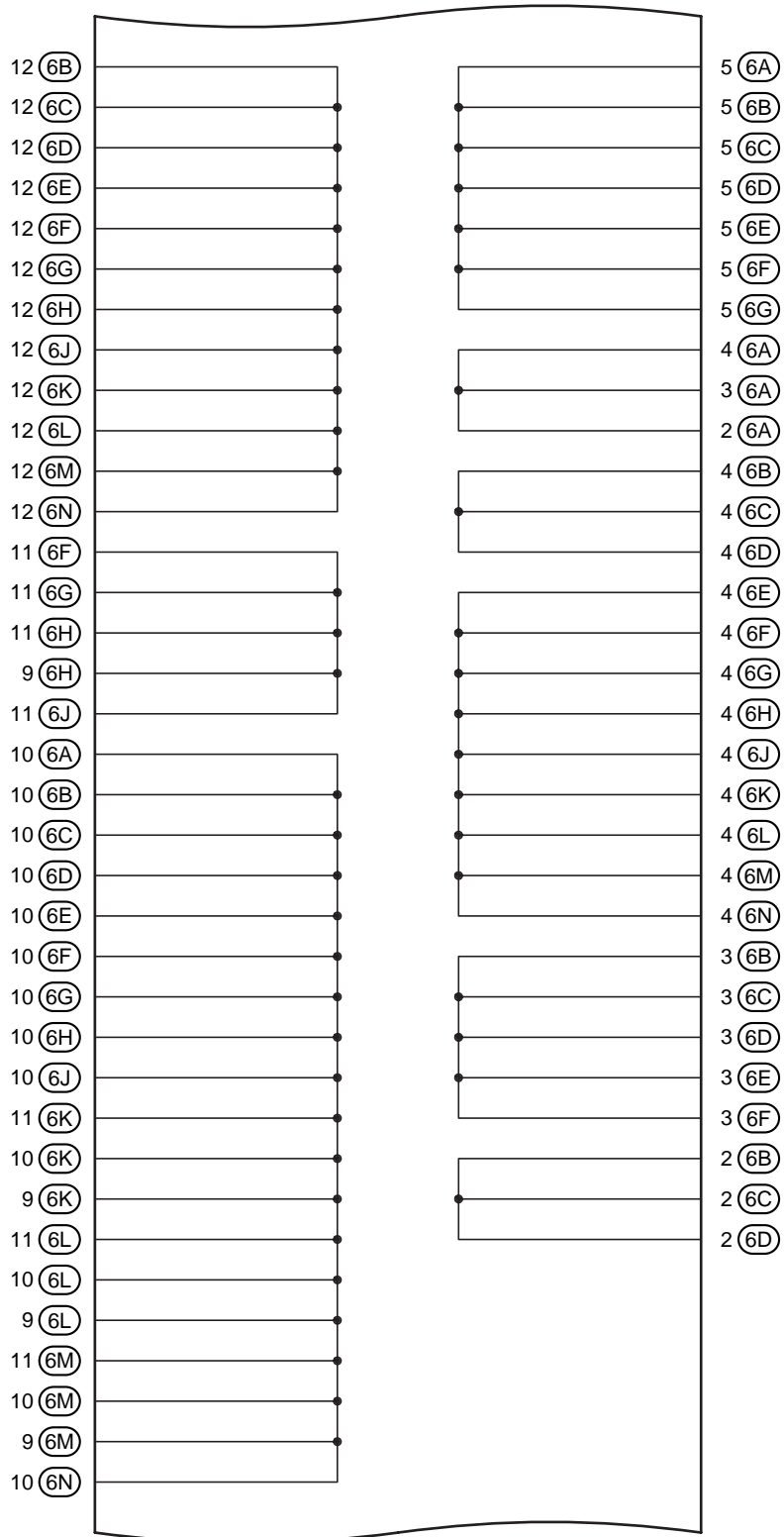
(Cont. Next Page)



F RELAY LOCATIONS

[Center J/B RH Inner Circuit]

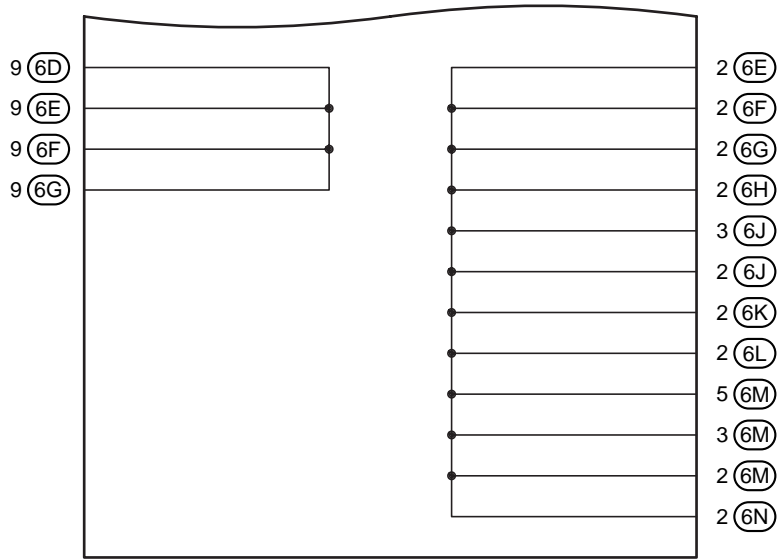
(Cont'd)



(Cont. Next Page)



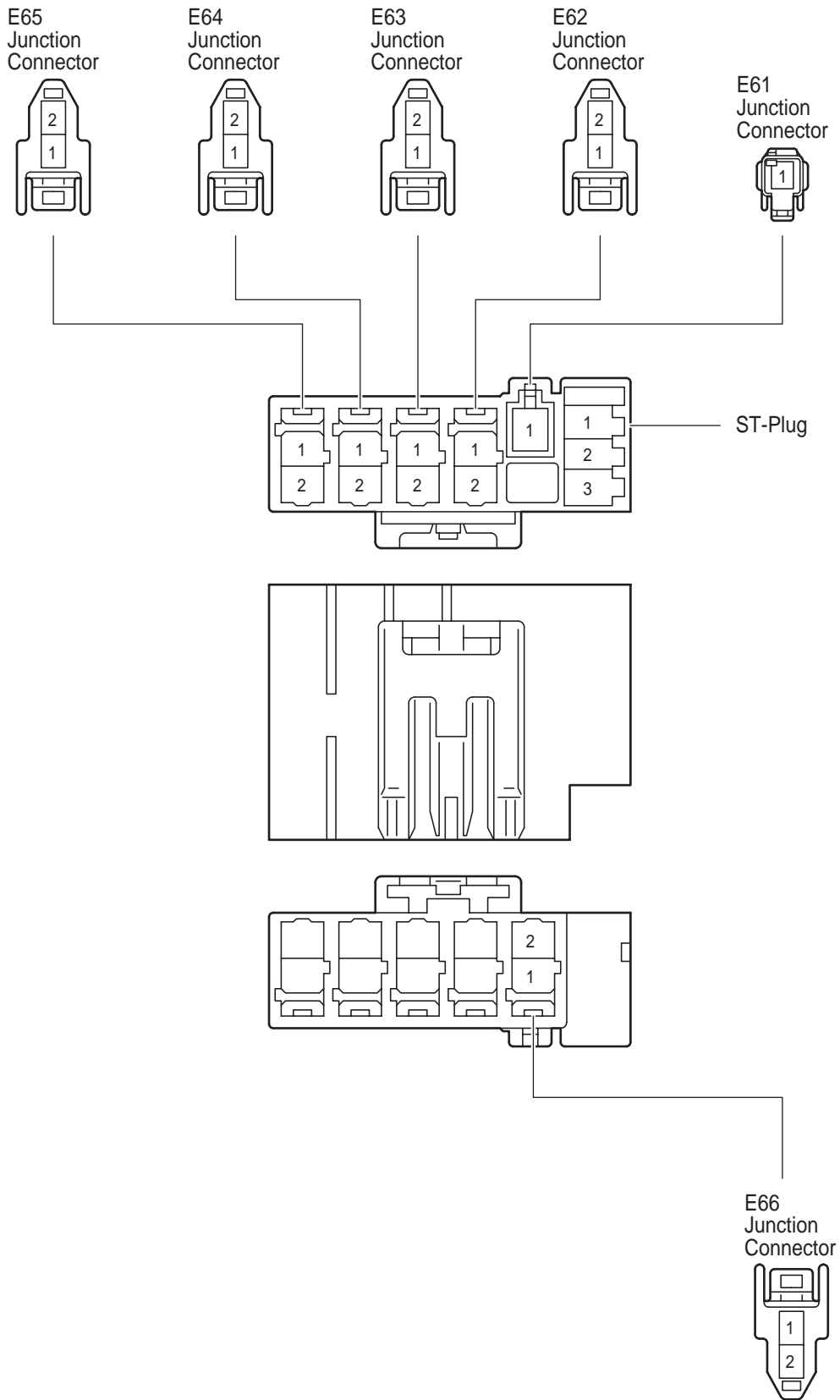
(Cont'd)



F RELAY LOCATIONS

Junction Connector
(CAN)

Instrument Panel Center (See Page 20)



[Junction Connector Inner Circuit]
(CAN)

E61(A), E62(B), E63(C),
E64(D), E65(E), E66(F)
Junction Connector

