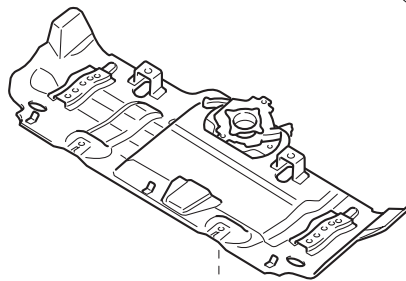
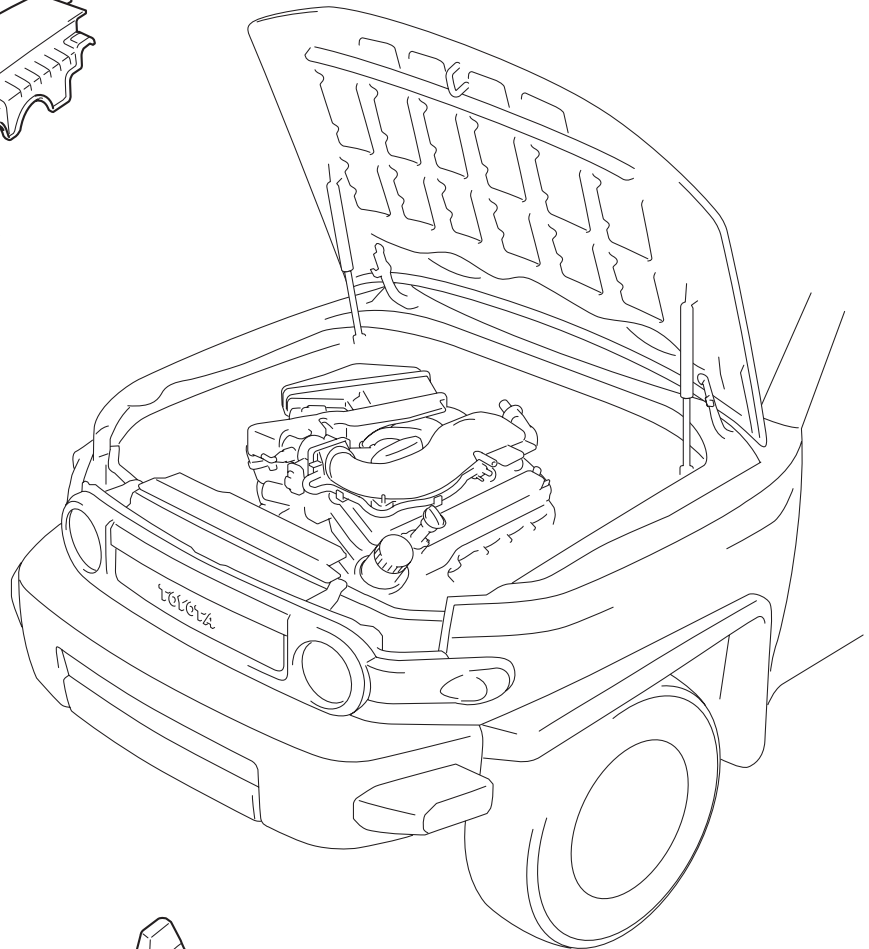
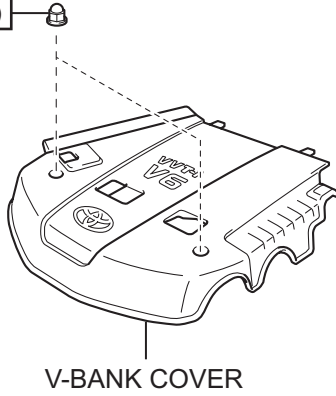


# FAN COMPONENTS

7.5 (76, 66 in.\*lbf)



NO. 1 ENGINE UNDER  
COVER SUB-ASSEMBLY

N\*m (kgf\*cm, ft\*lbf) : Specified torque

x4 29 (296, 21)

CO

Y





CO

