



**Technical Service  
BULLETIN**

December 22, 2005

Title:

# INITIAL CALIBRATION OF COMPASS DURING PDS

Models:

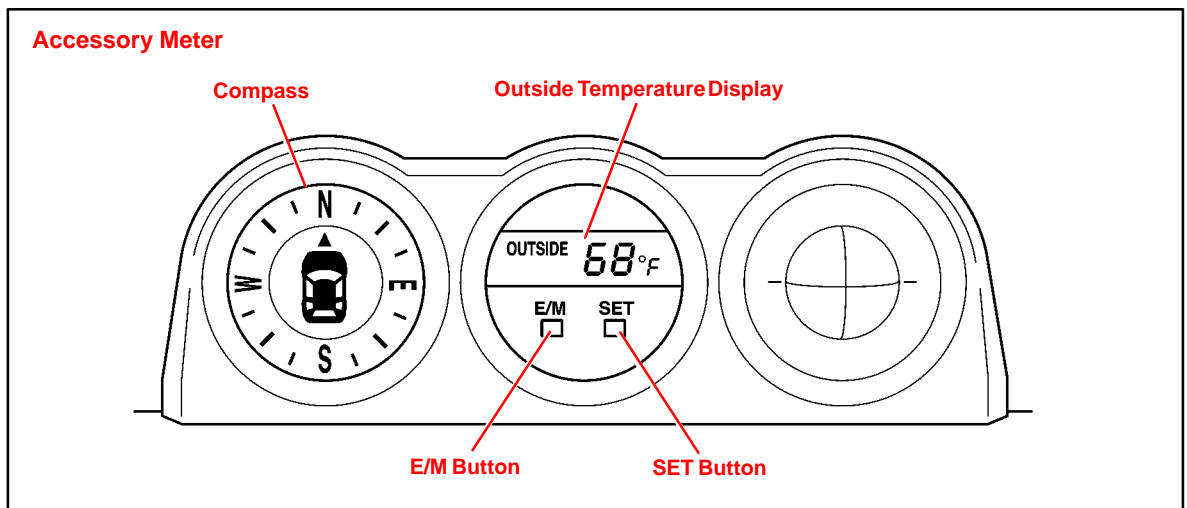
'07 FJ Cruiser

PRE-DELIVERY SERVICE  
P D093-05

**Introduction** The compass indicates the direction that the vehicle is heading by detecting the direction and strength of the Earth's magnetic field and then processes this data using the compass sensor and microcomputer.

Detection of the direction and strength of the Earth's magnetic field varies according to the area in which the vehicle is used and can be affected by the residual magnetism of the vehicle. For this reason, the geographic direction displayed may also deviate from the direction determined by the Earth's magnetic field according to the area in which the vehicle is used.

Perform the initial calibration of the compass in your dealership prior to delivery to customers.



- Applicable Vehicles**
- 2007 model year **FJ Cruiser** vehicles.

**Warranty Information**

OP CODE	DESCRIPTION	TIME	OFF	T1	T2
N/A	Not Applicable to Warranty	-	-	-	-



**Deviation  
Calibration  
Procedure**

1. Turn the ignition switch to the “ON” position.

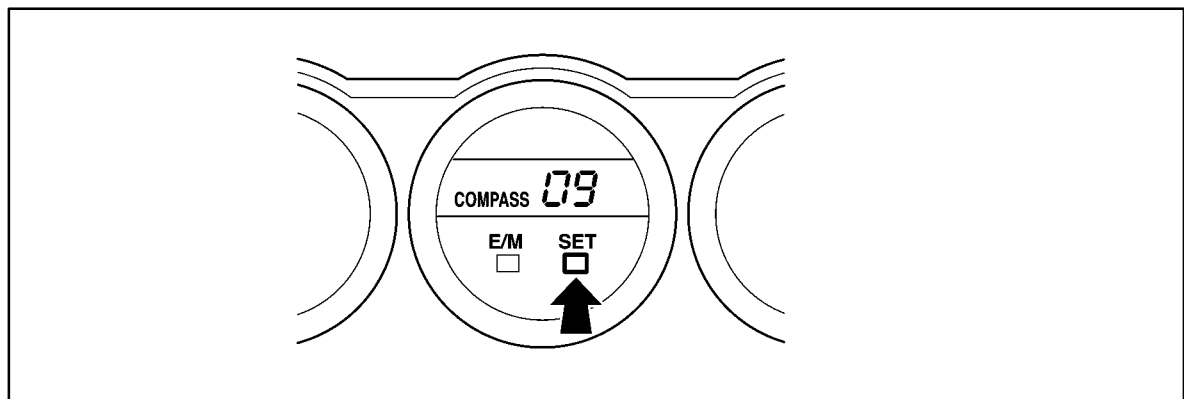
**NOTE:**

When the initial circling calibration has NOT yet been performed, the “COMPASS” indicator blinks on the outside temperature display.

2. Switch the mode to Compass Correction mode by pushing the “SET” button for about 2 seconds until the zone number appears on the outside temperature display.

**NOTE:**

If step 3 is NOT performed within 6 seconds while in Compass Correction mode, the calibration is canceled, and the display returns to the outside temperature indication.

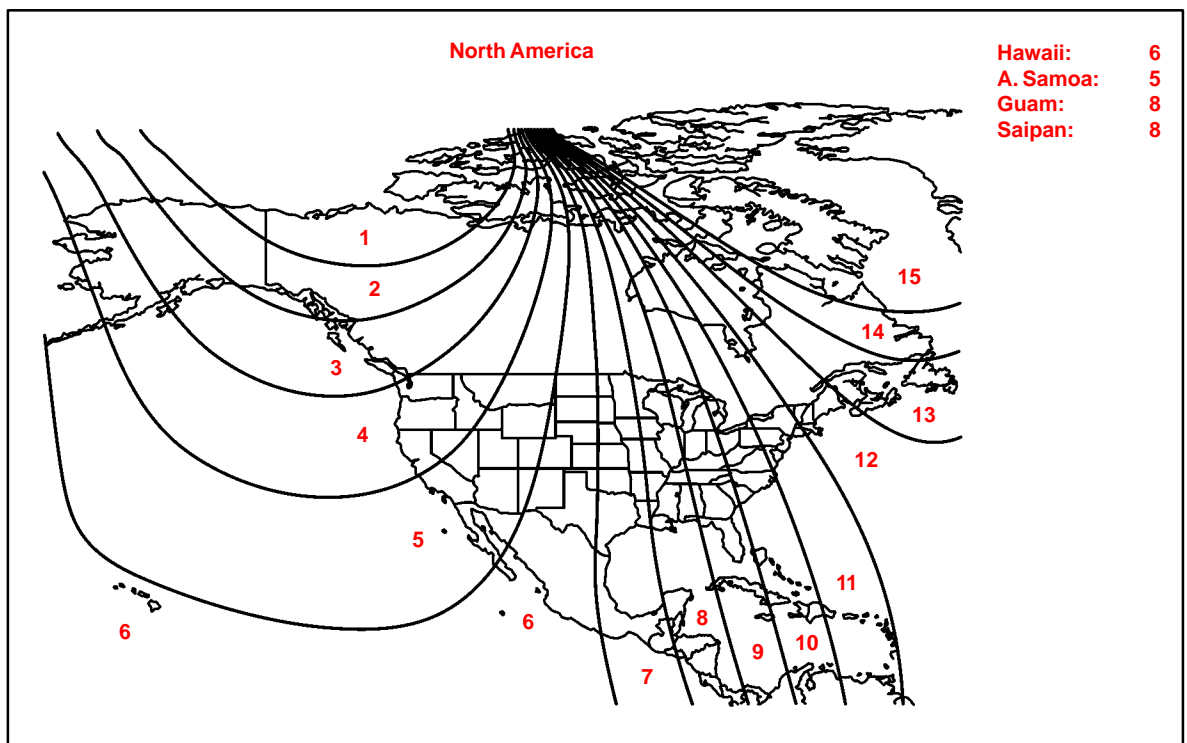
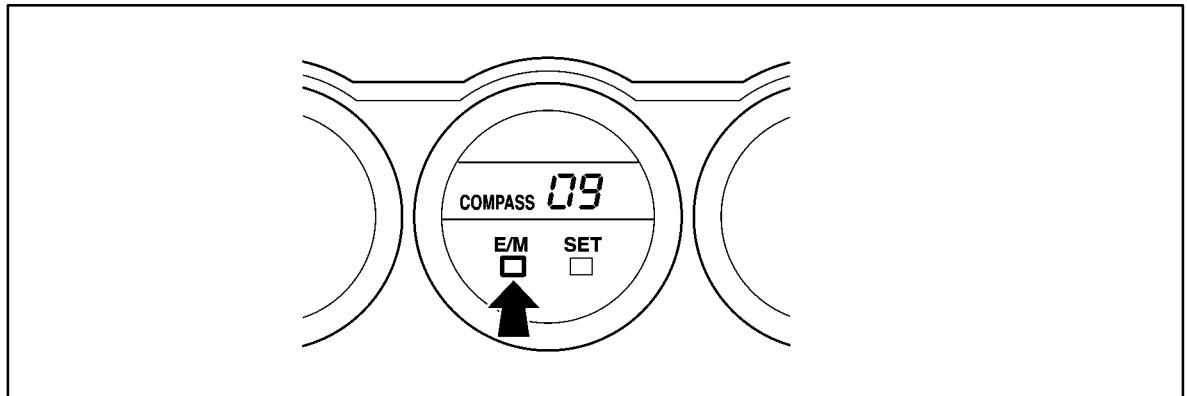


**Deviation Calibration Procedure**  
(Continued)

3. Refer to the following map to determine the vehicle's location and select the relevant zone number by pushing the "E/M" button.

**NOTE:**

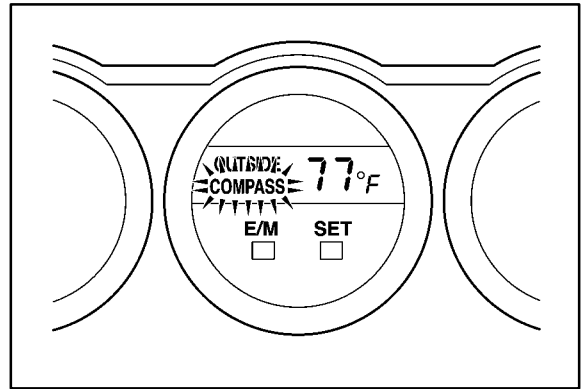
- After deviation calibration, leave the system for 6 seconds or push and hold the "SET" button for about 2 seconds.
- The display returns to the outside temperature display.



**Circling Calibration Procedure**

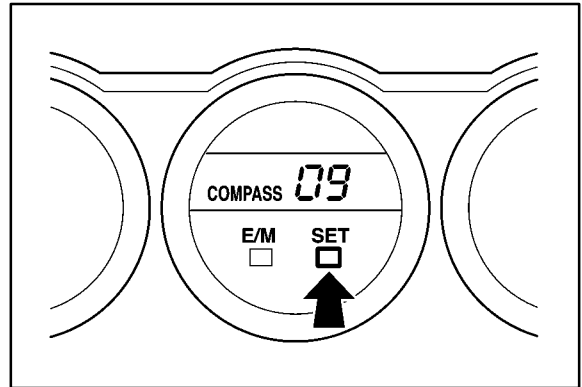
1. Start the engine.

**NOTE:**  
When the initial circling calibration has NOT yet been performed, the “COMPASS” indicator blinks on the outside temperature display.



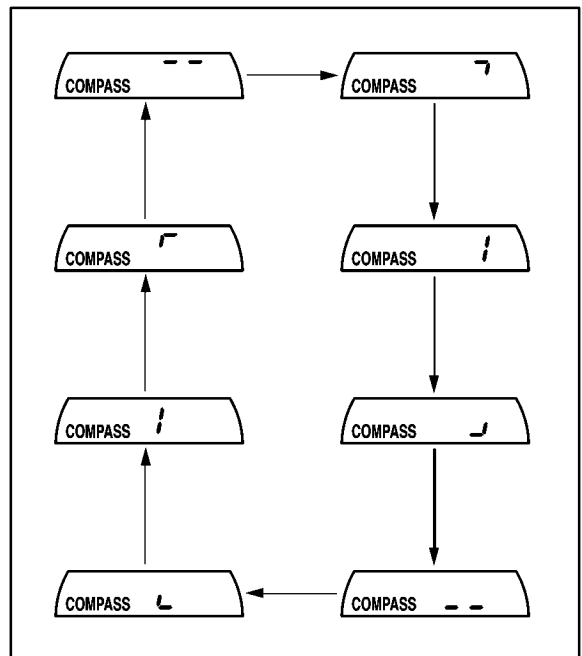
2. Switch the mode to the Compass Correction mode by pushing the “SET” button for about 2 seconds until the zone number appears on the outside temperature display.

**NOTE:**  
If step 3 is NOT performed within 6 seconds while in Compass Correction mode, the calibration is canceled, and the display returns to the outside temperature indication.



3. Push the “SET” button again to change the mode to the Turn Correction mode.

**NOTE:**  
While in the Turn Correction mode, the indication bars move as shown in the illustration.



**Circling  
Calibration  
Procedure**  
(Continued)

4. Drive the vehicle in a circle at 5 mph (8 km/h) or less. If there is NOT enough space to drive in a circle, turn the car around as shown, doing a four-point turn.

When the compass display returns to the outside temperature display, the calibration is complete.

**NOTE:**

- Do NOT perform calibration of the compass in a place where the Earth's magnetic field is subject to interference by artificial magnetic fields (underground parking, under a steel tower, between buildings, roof parking, near a crossing, near a large vehicle, etc.)
- During calibration, do NOT operate electric systems (moon roof, power windows, etc.) as they may interfere with the calibration.
- If the correct direction is NOT displayed after driving the vehicle as specified, change the vehicle location.

5. Check that the COMPASS indicator is NOT blinking and that the compass is displayed normally.

