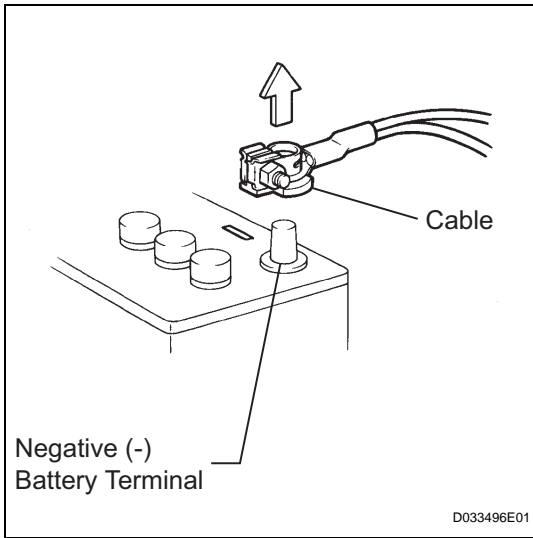


AUDIO AND VISUAL SYSTEM

PRECAUTION



1. DISCONNECT AND RECONNECT CABLE OF NEGATIVE BATTERY TERMINAL

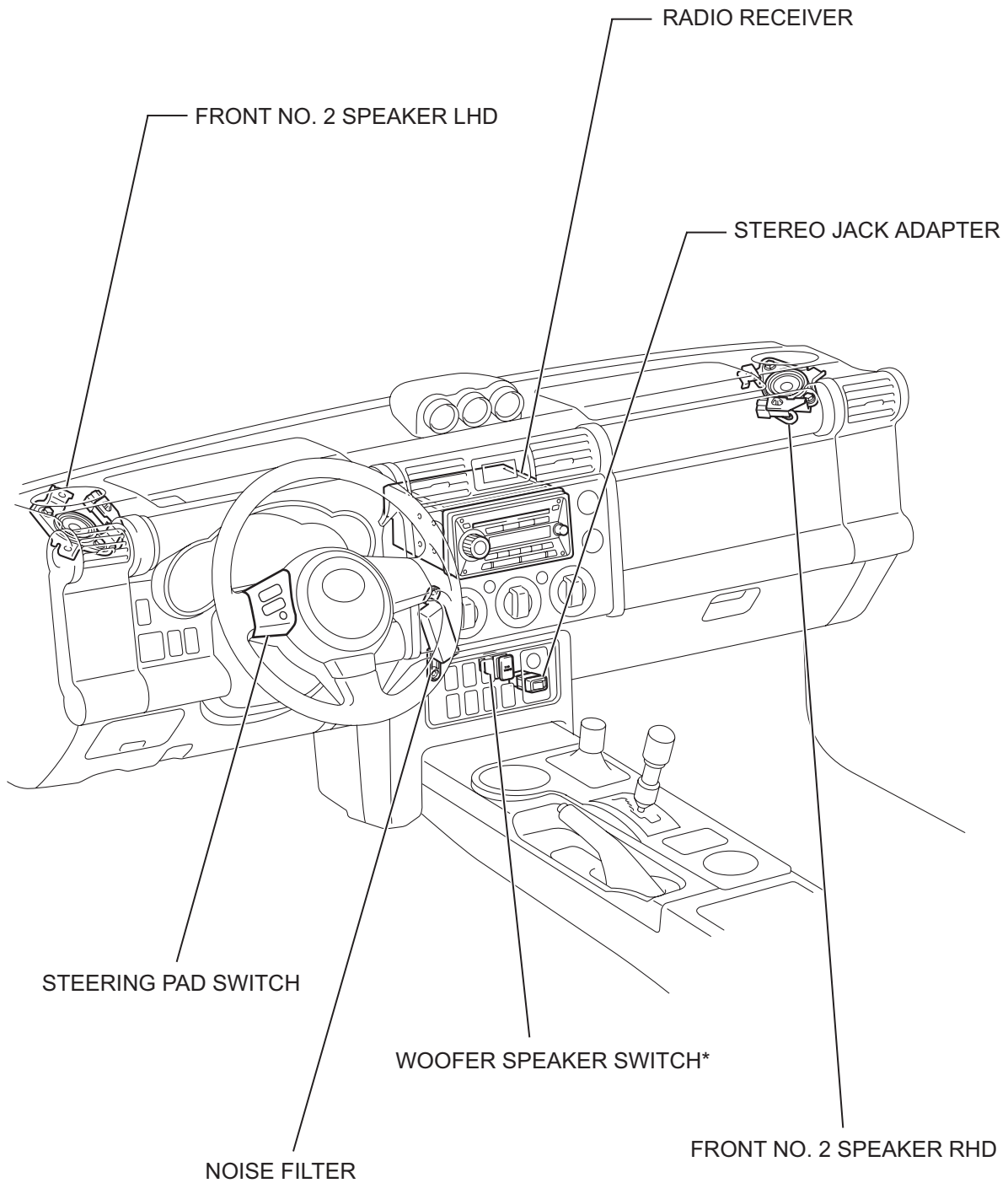
- (a) Before performing electronic work, disconnect the cable from the negative (-) battery terminal in order to prevent it from shorting and burning out.
- (b) Before disconnecting and reconnecting the battery cable, turn the ignition switch OFF and the headlight dimmer switch OFF. Then loosen the terminal nut completely. Do not damage the cable or terminal.
- (c) When the battery cable is disconnected, the clock and radio settings and stored DTCs are erased. Therefore, before disconnecting the battery cable, make a notes of them.

NOTICE:

When the cable is disconnected from the negative (-) battery terminal, initialize the following system(s) after the cable is reconnected.

System name	See procedure
METER / GAUGE SYSTEM	ME-10

PARTS LOCATION

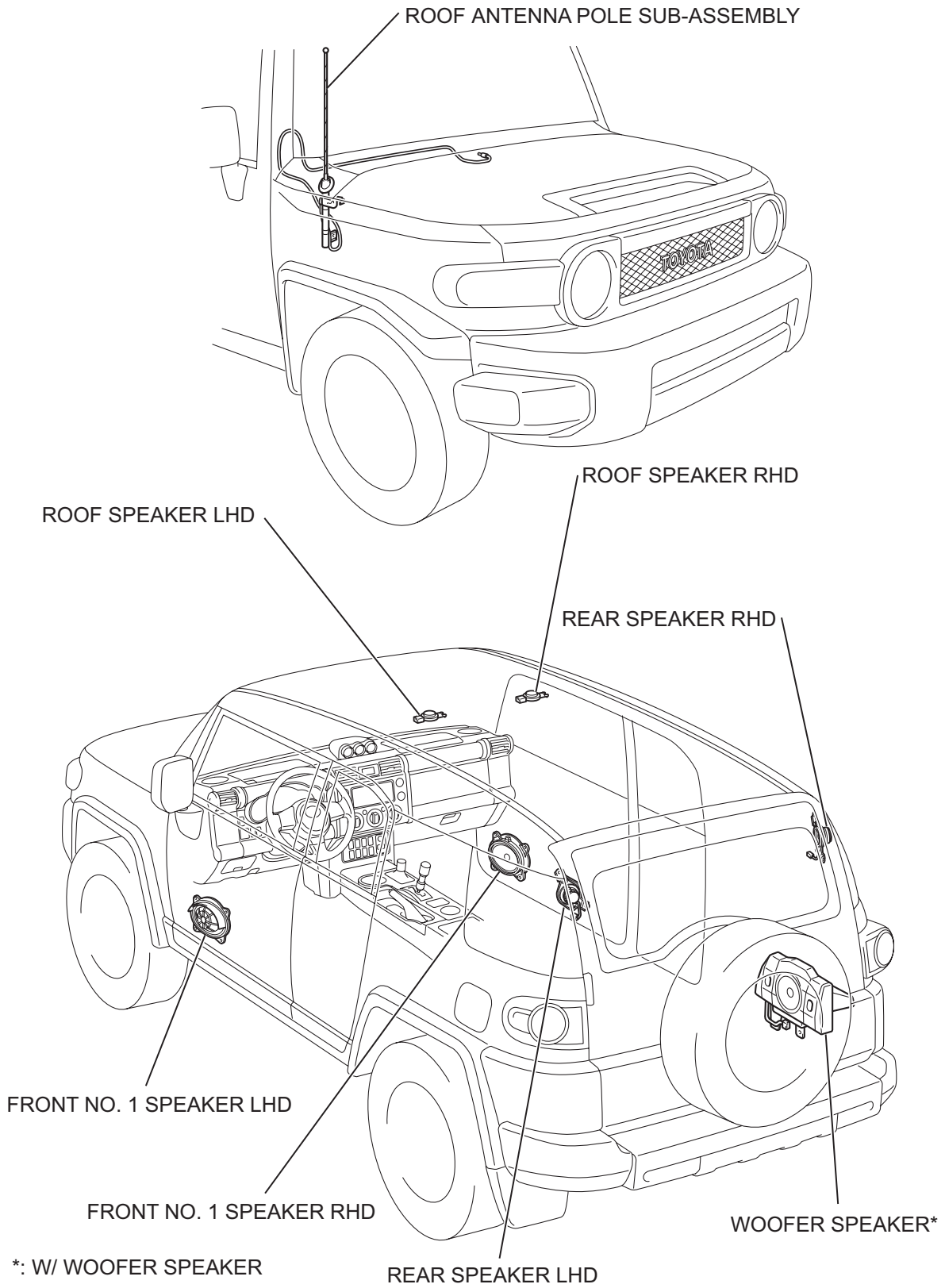


*: W/ WOOFER SPEAKER

Y

B133385E01

AV



AV

Y

B133386E01