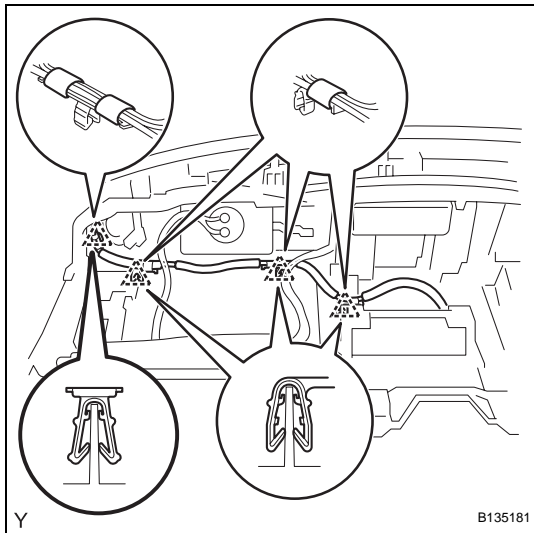


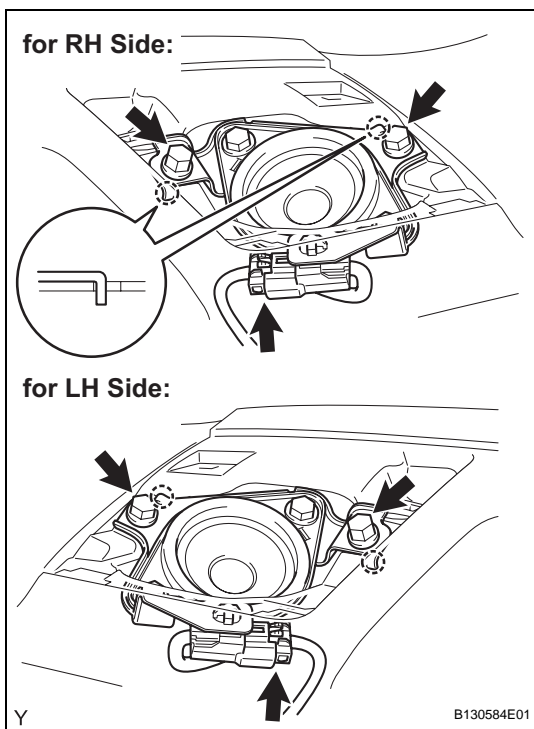
INSTALLATION

CAUTION:

Some of these service operations affect the SRS airbag system. Read the precautionary notices concerning the SRS airbag system before servicing (See page [RS-1](#)).



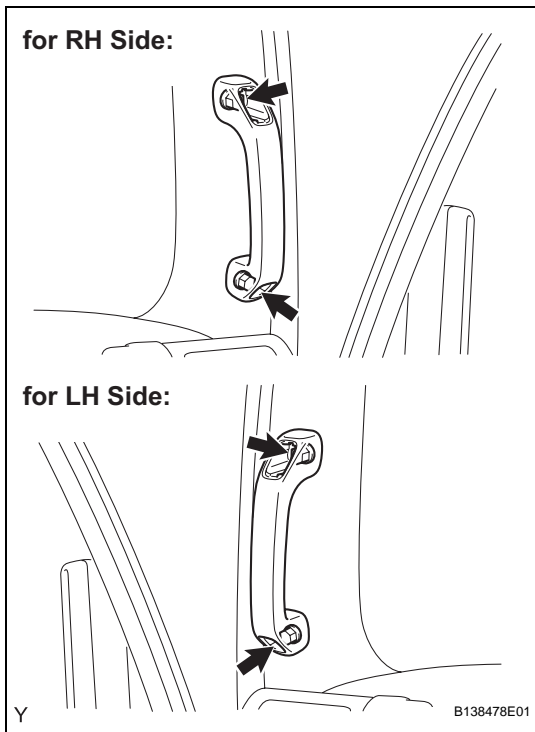
1. **INSTALL ANTENNA CORD SUB-ASSEMBLY**
 - (a) Install the antenna cord with 3 new pieces of tape.
 - (b) Engage the 4 clamps.
2. **INSTALL INSTRUMENT PANEL SUB-ASSEMBLY** (See page [IP-26](#))
3. **CONNECT PASSENGER AIRBAG CONNECTOR** (See page [IP-26](#))
4. **INSTALL INSTRUMENT PANEL FINISH PANEL END** (See page [IP-27](#))



5. **INSTALL FRONT NO. 2 SPEAKER ASSEMBLY**
HINT:
 Use the same procedure for both sides.
 - (a) Connect the speaker connector.
 - (b) Insert the 2 hooks into the instrument panel and install the front No. 2 speaker with the 2 bolts.
Torque: 2.5 N*m (25 kgf*cm, 22 in.*lbf)
6. **INSTALL INSTRUMENT PANEL SPEAKER PANEL SUB-ASSEMBLY RH** (See page [IP-27](#))
7. **INSTALL INSTRUMENT PANEL SPEAKER PANEL SUB-ASSEMBLY LH** (See page [IP-27](#))
8. **INSTALL INSTRUMENT PANEL REGISTER ASSEMBLY RH** (See page [IP-27](#))
9. **INSTALL INSTRUMENT PANEL LOWER FINISH PANEL SUB-ASSEMBLY RH** (See page [IP-28](#))
10. **INSTALL GLOVE COMPARTMENT DOOR ASSEMBLY** (See page [IP-28](#))
11. **INSTALL COMBINATION METER ASSEMBLY** (See page [IP-28](#))
12. **INSTALL INSTRUMENT CLUSTER LOWER FINISH PANEL** (See page [IP-29](#))
13. **INSTALL INSTRUMENT LOWER PANEL** (See page [IP-29](#))
14. **INSTALL INSTRUMENT PANEL LOWER FINISH PANEL SUB-ASSEMBLY LH** (See page [IP-29](#))
15. **INSTALL HOOD LOCK CONTROL LEVER SUB-ASSEMBLY** (See page [IP-30](#))

16. INSTALL INSTRUMENT PANEL REGISTER ASSEMBLY LH (See page [IP-30](#))
17. INSTALL INSTRUMENT LOWER COVER SUB-ASSEMBLY (See page [IP-30](#))
18. INSTALL FRONT CONSOLE BOX UPPER PANEL GARNISH (See page [IP-31](#))
19. INSTALL FRONT CONSOLE BOX (See page [IP-31](#))
20. INSTALL FRONT CONSOLE BOX BOTTOM MAT (See page [IP-31](#))
21. INSTALL FRONT CONSOLE BOX UPPER PANEL SUB-ASSEMBLY (See page [IP-31](#))
22. INSTALL SHIFT LEVER KNOB SUB-ASSEMBLY (for 4WD) (See page [IP-32](#))
23. INSTALL SHIFT LEVER KNOB SUB-ASSEMBLY (for Manual Transmission) (See page [IP-32](#))
24. INSTALL PARKING BRAKE HOLE COVER SUB-ASSEMBLY (See page [IP-32](#))
25. INSTALL RADIO RECEIVER ASSEMBLY (See page [AV-56](#))
26. INSTALL INTEGRATION CONTROL PANEL ASSEMBLY (See page [IP-32](#))
27. INSTALL INSTRUMENT PANEL GARNISH LH (See page [IP-33](#))
28. INSTALL INSTRUMENT PANEL GARNISH RH (See page [IR-43](#))
29. INSTALL ASSIST GRIP RETAINER RH (See page [IP-27](#))
30. INSTALL ASSIST GRIP RETAINER LH (See page [IP-27](#))
31. INSTALL FRONT PILLAR GARNISH RH (See page [IR-43](#))
32. INSTALL FRONT PILLAR GARNISH LH (See page [IR-43](#))

AV

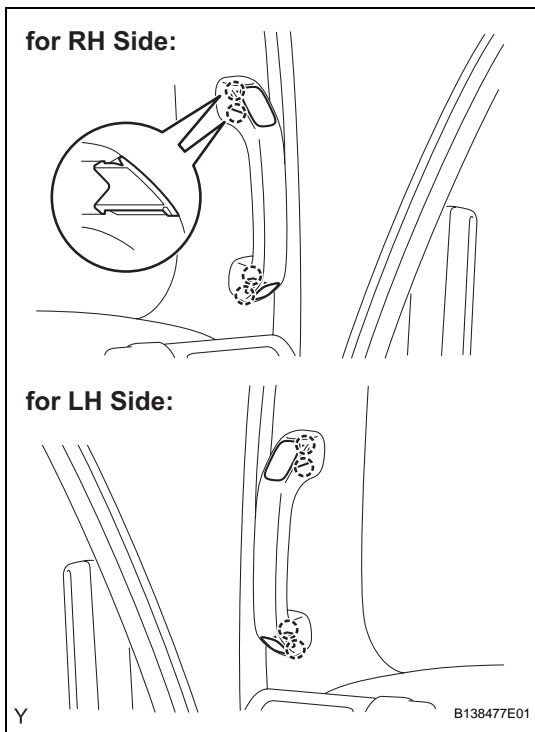


33. INSTALL ASSIST GRIP ASSEMBLY

HINT:

Use the same procedure to install all the assist grips.

- (a) Install the assist grip with the 2 screws.

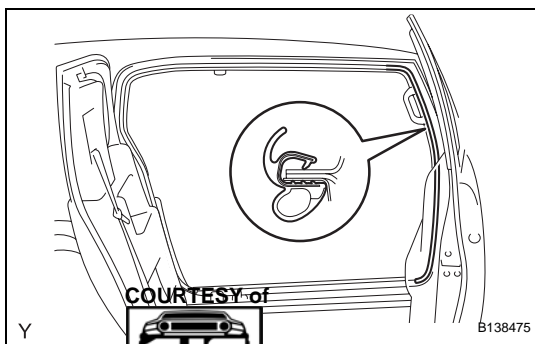


34. INSTALL ASSIST GRIP PLUG

HINT:

Use the same procedure to install all the assist grip plugs.

- (a) Engage the 2 claws and install the assist grip plug.



35. INSTALL FRONT DOOR OPENING TRIM WEATHERSTRIP RH

- (a) Install the front door opening trim weatherstrip.

36. INSTALL FRONT DOOR OPENING TRIM WEATHERSTRIP LH

HINT:

Use the same procedure as for the RH side.

37. INSTALL COWL SIDE TRIM BOARD RH (See page IR-45)

AV



38. **INSTALL COWL SIDE TRIM BOARD LH** (See page [IR-45](#))
39. **INSTALL FOOTREST CLIP** (See page [IR-2](#))
40. **INSTALL FRONT FLOOR FOOTREST** (See page [IR-2](#))
41. **INSTALL FRONT DOOR SCUFF PLATE RH** (See page [IR-45](#))
42. **INSTALL FRONT DOOR SCUFF PLATE LH** (See page [IR-45](#))
43. **CONNECT CABLE TO NEGATIVE BATTERY TERMINAL**
Torque: 3.9 N*m (40 kgf*cm, 35 in.*lbf)
44. **INSPECT SRS WARNING LIGHT**
(See page [RS-29](#))