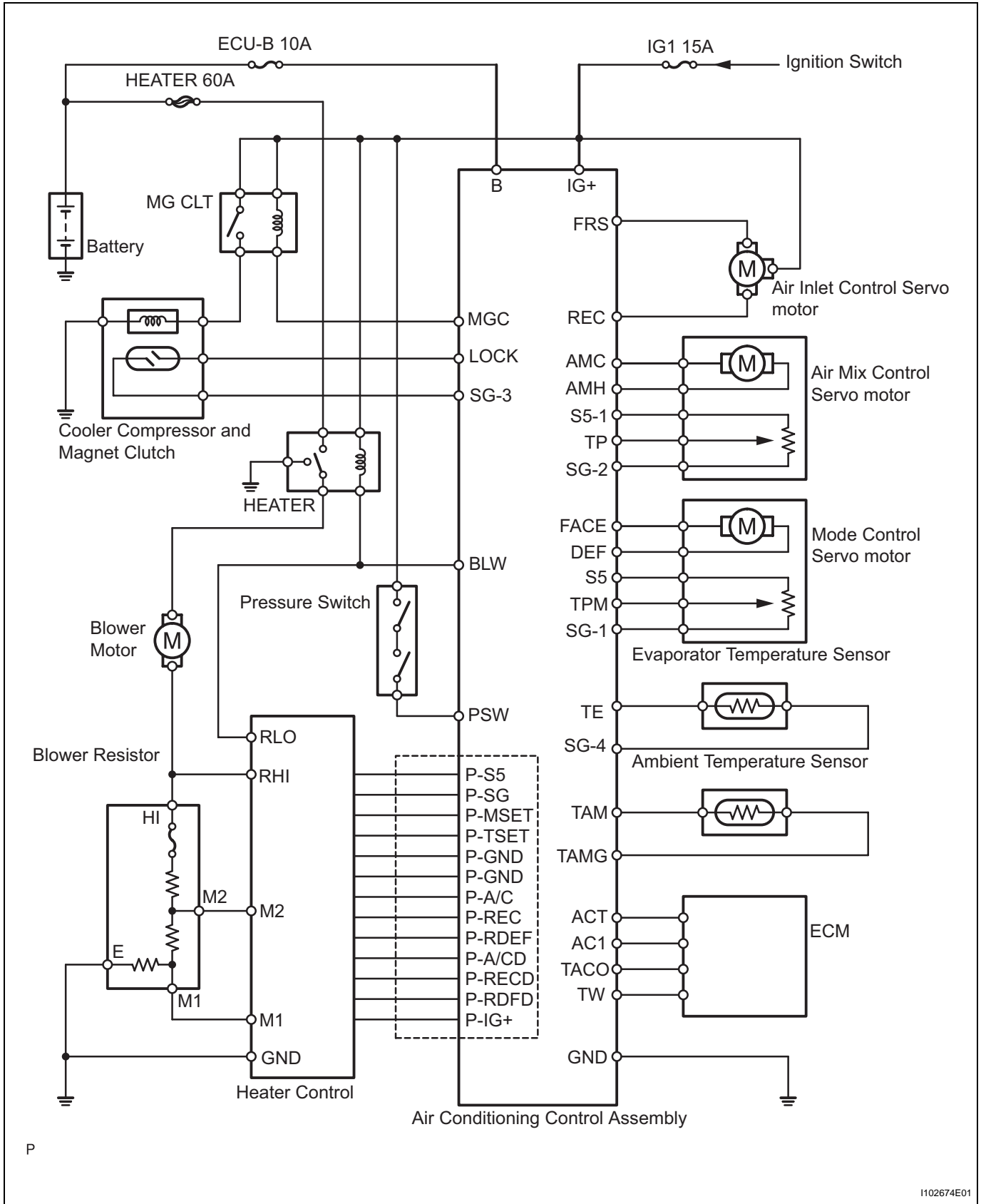


SYSTEM DIAGRAM



AC

P

1102674E01

PROBLEM SYMPTOMS TABLE

HINT:

- Use the table below to help determine the cause of the problem symptom. The potential causes of the symptoms are listed in order of probability in the "Suspected Area" column of the table. Check each symptom by checking the suspected areas in the order they are listed. Replace parts as necessary.
- Inspect the fuses and relays related to this system before inspecting the suspected areas below.
- If the malfunction still exists even after checking and confirming that all the circuits are normal, replace the A/C amplifier.

Air conditioning system

Symptom	Suspected area	See page
No Cool Air Comes Out: Compressor Not Operating	Volume of refrigerant	AC-12
	Pressure switch	AC-104
	Magnetic clutch	AC-88
	Air conditioning amplifier assembly	AC-8
	Compressor pick up sensor	AC-88
	Cooler compressor	AC-88
	Wire harness or connector	-
No Cool Air Comes Out: Blower Not Operating	HTR fuse	-
	Heater relay	AC-106
	Blower resistor	AC-83
	Blower motor	AC-81
	Air conditioning panel assembly	AC-110
	Air conditioning amplifier assembly	AC-8
	Wire harness or connector	-
No Cool Air Comes Out: Air Mix Damper Servo Not Operating	Air mix control servo motor	AC-44
	Air conditioning panel assembly	AC-110
	Wire harness or connector	-
No Cool Air Comes Out: Insufficient Cooling	Volume of refrigerant	AC-12
	Blower motor performance check	AC-81
	Air mix damper servo full travel check	AC-44
	Recirculation damper servo operation check	AC-74
No Engine Idle-up when A/C Switch ON	Air conditioning amplifier assembly	AC-8
	Idling control system	ES-251
	Wire harness or connector	-
No Warm Air Comes Out: Blower Not Operating	HTR fuse	-
	IG1 fuse	-
	Heater relay	AC-106
	Blower resistor	AC-83
	Blower motor	AC-81
	Air conditioning panel assembly	AC-110
	Wire harness or connector	-
No Warm Air Comes Out: Air Mix Damper Servo Not Operating	Air mix control servo motor	AC-44
	Air conditioning panel assembly	AC-110
	Wire harness or connector	-

COURTESY of



Symptom	Suspected area	See page
No Warm Air Comes Out: Insufficient Cooling	Volume of engine coolant	CO-3
	Air conditioning panel assembly	AC-110
	Blower motor performance check	AC-81
	Air mix damper servo full travel check	AC-44
	Recirculation damper servo operation check	AC-74
	Heater radiator	-
Air Not Coming From Desired Outlets: Blower Not Operating	HTR fuse	-
	IG1 fuse	-
	Heater relay	AC-106
	Blower resistor	AC-83
	Blower motor	AC-81
	Air conditioning panel assembly	AC-106
	Wire harness or connector	-
Air Not Coming From Desired Outlets: Air Mix Damper Servo Not Operating	Air mix control servo motor	AC-44
	Wire harness or connector	-
Windshield Fogging: Compressor Not Operating	IG1 fuse	-
	Volume of refrigerant	AC-12
	Magnetic clutch	AC-88
	Cooler thermistor sensor	AC-44
	Air conditioning amplifier assembly	AC-8
	Compressor pick up sensor	AC-88
	Cooler compressor	AC-88
	Wire harness or connector	-
Windshield Fogging: Blower Not Operating	HTR fuse	-
	Heater relay	AC-106
	Blower resistor	AC-83
	Blower motor	AC-81
	Air conditioning panel assembly	AC-110
	Wire harness or connector	-
Windshield Fogging: Air Mix Damper Servo Not Operating	Air mix control servo motor	AC-44
	Air conditioning panel assembly	AC-110
	Wire harness or connector	-
Windshield Fogging: Insufficient Cooling	Volume of refrigerant	AC-12
	Blower motor performance check	AC-81
	Air mix damper servo full travel check	AC-44
	Recirculation damper servo operation check	AC-74
Defrosting Insufficient:	Blower motor	AC-81
	Mode doors: Check cooling, heating & door operation	-
	Mode control servo motor: Hot air not coming, Go to no warm air comes out	-
	Mode control servo motor: Cold air not coming, Go to no cold air comes out	-
Noise:	Blower motor: Inspect blower motor for debris/cracks	-
	Fresh air intake area: Inspect fresh air intake area for debris	-
Noise:	Cooler compressor: Cooler compressor incorrectly fitted	AC-90
	Magnetic clutch	AC-88
	Refrigerant charge amount	AC-20
	Compressor mounting bracket: Compressor mounting bracket incorrectly fitted	EM-27
	A/C lines secure & not grounded	-

AC



Symptom	Suspected area	See page
Odor (Cycle through blower speed, mode, temperature to define odor type when engine is running and A/C switch is ON. (Musty smell, coolant oil smell))	Wet carpet: Inspect for water, engine coolant or oil leaks	-
	A/C drain tube: Inspect for water, engine coolant or oil leaks	-
	Fresh air intake area: Inspect for water, engine coolant or oil leaks	-
	Heater hose: Inspect for water, engine coolant or oil leaks	-
	Evaporator: Inspect for water, engine coolant or oil leaks	-
	Evapo case: Inspect for water, engine coolant or oil leaks	-
Air Not Coming from Desired Outlets (Cycle the mode lever and check airflow for outlets when engine is running, A/C switch is ON.)	Blower motor	AC-81
	Mode control servo motor	AC-44
	Mode doors: Check cooling, heating & door operation	-
	Wire harness or connector	-
	Air conditioning panel assembly	AC-110

AC