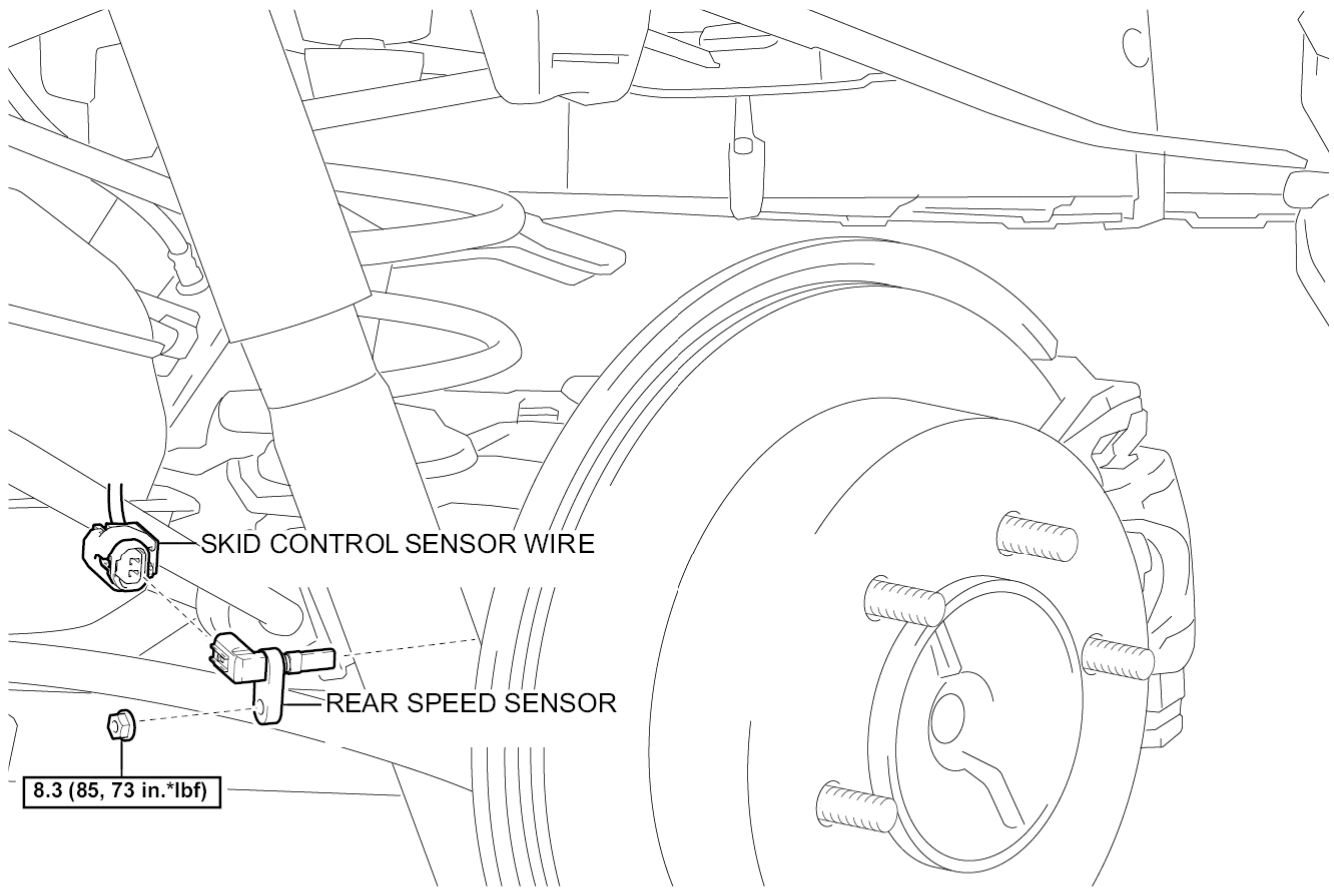


Last Modified: 9-13-2007		1.6 K
Service Category: Brake	Section: Brake Control/Dynamic Control System	
Model Year: 2008	Model: FJ Cruiser	Doc ID: RM000002558001X
Title: BRAKE CONTROL: REAR SPEED SENSOR: COMPONENTS (2008 FJ Cruiser)		

COMPONENTS

ILLUSTRATION





N*m (kgf*cm, ft*lbf) : Specified torque

P

