

**Part Number: PT427-35070
PT427-3507B**

NOTE: Part number of this accessory may not be the same as the part number shown.

Kit Contents

Item #	Quantity Req'd.	Description
1	1	Hood protector
2	1	Hardware bag

Hardware Bag Contents

Item #	Quantity Req'd.	Description
1	2	Outside Hood Bracket
2	4	Inner Hood Bracket
3	6	10-24 MS
4	6	Mylar

Additional Items Required For Installation

Item #	Quantity Req'd.	Description
1		
2		
3		

Conflicts

--

Recommended Tools

Personal & Vehicle Protection	Notes
Vehicle Protection	Blanket
Special Tools	Notes
None	
Installation Tools	Notes
Screwdriver	Phillips, #2
Socket	10mm
Special Chemicals	Notes
Cleaner	Soap and Water

General Applicability

Note-

Recommended Sequence of Application

Item #	Accessory
1	
2	
3	

*Mandatory

Vehicle Service Parts (may be required for reassembly)

Item #	Quantity Req'd.	Description
1		
2		
3		

Legend



STOP: Damage to the vehicle may occur. Do not proceed until process has been complied with.



OPERATOR SAFETY: Use caution to avoid risk of injury.



CAUTION: A process that must be carefully observed in order to reduce the risk of damage to the accessory/vehicle and to ensure a quality installation.



TOOLS & EQUIPMENT: Used in Figures calls out the specific tools and equipment recommended for this process.



REVISION MARK: This mark highlights a change in installation with respect to previous iss

Procedure

Care must be taken when installing this accessory to ensure damage does not occur to the vehicle. The installation of this accessory should follow approved guidelines to ensure a quality installation.

These guidelines can be found in the "Accessory Installation Practices" document.

This document covers such items as:-

- Vehicle Protection (use of covers and blankets, cleaning chemicals, etc.).
- Safety (eye protection, rechecking torque procedure, etc.).
- Vehicle Disassembly/Reassembly (panel removal, part storage, etc.).
- Electrical Component Disassembly/Reassembly (battery disconnection, connector removal, etc.).

Please see your Toyota dealer for a copy of this document.

1. Pre-installation Preparation.

(a) Inspect and verify the kit contents.

(b) Open the hood.



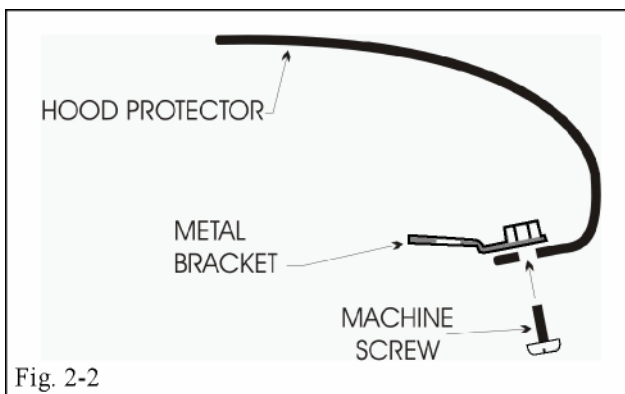
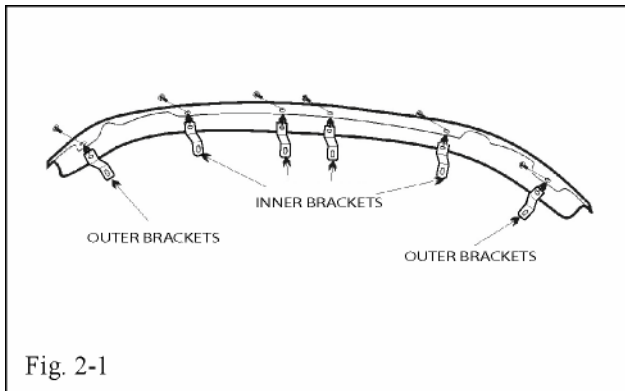
(c) Make sure front edge of hood, where the deflector is to be installed, is clean and free from dirt and/or debris using 3M™ Prep Solvent-70. When cleaning with 3M™ Prep Solvent-70 follow the manufacturer's directions. Do not allow cleaner to air dry.

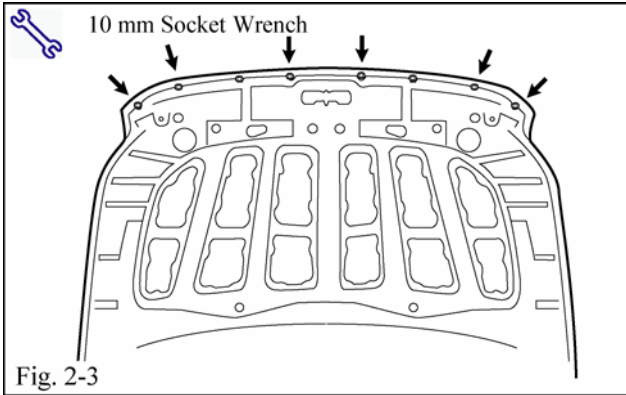



(d) Cover engine bay completely with a protective blanket to catch any dropped hardware.

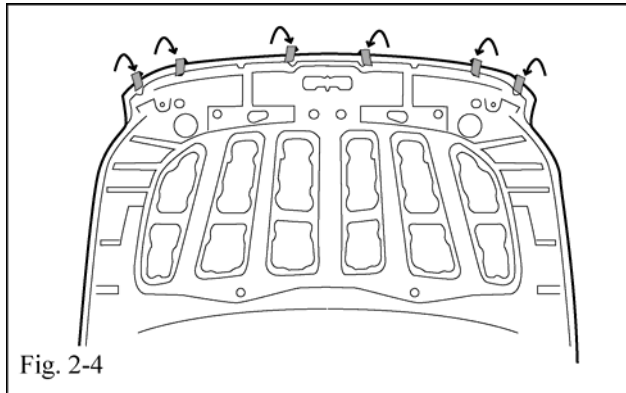
2. Installation.

(a) Install the four inner brackets to the hood protector with the machine screws provided. Install the two outer brackets to the deflector with the machine screws provided. Do not tighten completely. (Figs. 2-1 and 2-2)

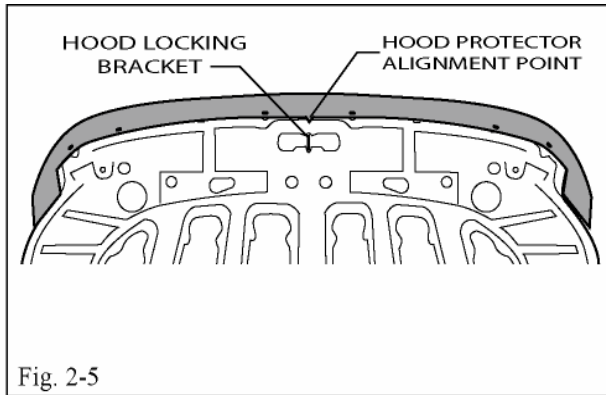





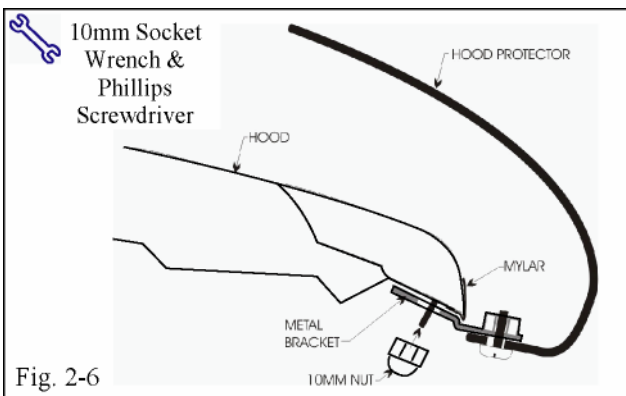
 (b) Open the vehicle hood and remove the six 10mm nuts shown (Fig. 2-3)




(c) Apply mylar around the leading edge of the hood at each bracket location. (Fig. 2-4)



 (d) Center the hood protector and bracket assembly onto the threaded studs on the vehicle. Replace the six 10mm nuts to fix the deflector bracket assembly in position. (Fig. 2-5)




 (e) Tighten the six machine screws to fix the brackets to the hood protector. Tighten the six 10mm nuts to the studs on the hood. (Fig. 2-6)


TOYOTA FJ CRUISER 2007 - HOOD PROTECTOR
Checklist - these points **MUST** be checked to ensure a quality installation.

Check:

Look For:

Accessory Function Checks

- Inspect brackets
- Inspect screws
-  Screw tightness
- Hood closure.
- Clearance of hood protector to hood.

- Six brackets installed on hood.
-  • Six screws holding hood protector to brackets are firmly tightened.
- Hood brackets should not contact the headlights.
- The hood protector should not contact the grill.